

58970
E1:45

TECHNICAL DATA 589703602

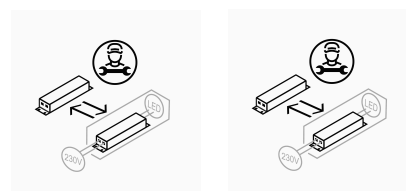
LAMP INFO	
Description:	FL PLANA Matt nickel 40W+6W dimmable
Mark:	20000 FL Floor Lamp
Reference:	589703602
Range:	58970 PLANA
Code EAN:	8421797897031
Measures (mm):	0270-0270-1800
Weight (kg):	7.10

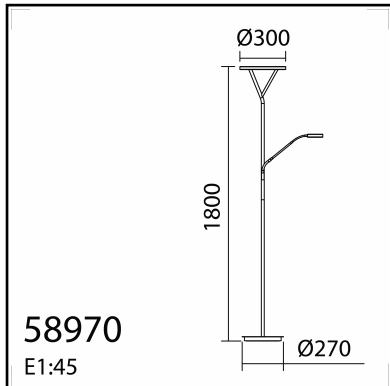
Lampholder/Watts:	LED 40W + 6W	CCT:	3000K	Switch:	Push-button
Bulb included:	Yes - SMD	Lm:	3400	USB_C:	No
Class:	Class III	Effi LS:	D / E	Shade:	No
IP:	20	CRI:	80,00	Dimmable:	Progressive 0-100% dimmer included
Driver inc.:	Yes	Lamp Power:	46,00W		
Voltage/Frequence:	24V DC / 2A	Applied Standard:	CE / LVD		

PACKAGING DETAILS

	Individual Box	Outer Box	Master Box
Type:	MDC - BROWN PRINTED		
Units:	1.00	0.00	0.00
Measures:	0350-0350-1030	_____	_____
Gross Weight (kg):	8.50	-	-
CTN 40':	443,00		

OBSERVATIONS





TECHNICAL DATA 589706102

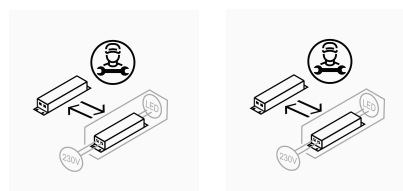
LAMP INFO	
Description:	FL PLANA MBss 40W+6W dimmable
Mark:	20000 FL Floor Lamp
Reference:	589706102
Range:	58970 PLANA
Code EAN:	8421797897062
Measures (mm):	0270-0270-1800
Weight (kg):	7.10

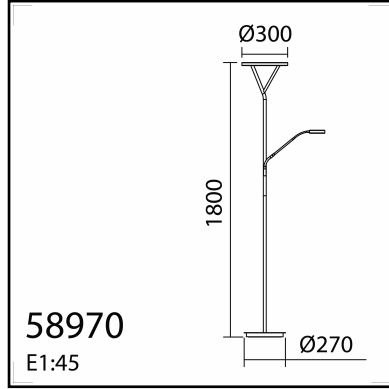
Lampholder/Watts:	LED 40W + 6W	CCT:	3000K	Switch:	Push-button
Bulb included:	Yes - SMD	Lm:	3400	USB_C:	No
Class:	Class III	Effi LS:	D / E	Shade:	No
IP:	20	CRI:	80,00	Dimmable:	Progressive 0-100% dimmer included
Driver inc.:	Yes	Lamp Power:	46,00W		
Voltage/Frequence:	24V DC / 2A	Applied Standard:	CE / LVD		

PACKAGING DETAILS

	Individual Box	Outer Box	Master Box
Type:	MDC - BROWN PRINTED		
Units:	1.00	0.00	0.00
Measures:	0350-0350-1030	_____	_____
Gross Weight (kg):	8.50	-	-
CTN 40':	443,00		

OBSERVATIONS





58970
E1:45

TECHNICAL DATA 589708102

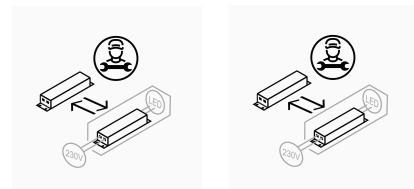
LAMP INFO	
Description:	FL PLANA WH 40W+6W dimmable
Mark:	20000 FL Floor Lamp
Reference:	589708102
Range:	58970 PLANA
Code EAN:	8421797897086
Measures (mm):	0270-0270-1800
Weight (kg):	7.10

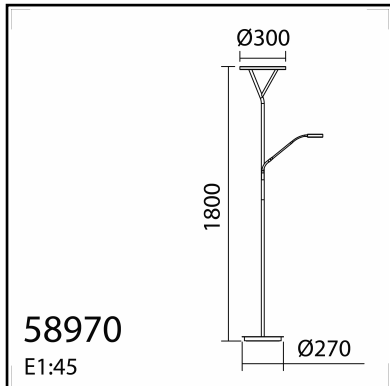
Lampholder/Watts:	LED 40W + 6W	CCT:	3000K	Switch:	Push-button
Bulb included:	Yes - SMD	Lm:	3400	USB_C:	No
Class:	Class III	Effi LS:	D / E	Shade:	No
IP:	20	CRI:	80,00	Dimmable:	Progressive 0-100% dimmer included
Driver inc.:	Yes	Lamp Power:	46,00W		
Voltage/Frequence:	24V DC / 2A	Applied Standard:	CE / LVD		

PACKAGING DETAILS

	Individual Box	Outer Box	Master Box
Type:	MDC - BROWN PRINTED		
Units:	1.00	0.00	0.00
Measures:	0350-0350-1030	_____	_____
Gross Weight (kg):	8.50	-	-
CTN 40':	443,00		

OBSERVATIONS





58970
E1:45

TECHNICAL DATA 589709102

LAMP INFO	
Description:	FL PLANA BK 40W+6W dimmable
Mark:	20000 FL Floor Lamp
Reference:	589709102
Range:	58970 PLANA
Code EAN:	8421797897093
Measures (mm):	0270-0270-1800
Weight (kg):	7.10

Lampholder/Watts:	LED 40W + 6W	CCT:	3000K	Switch:	Push-button
Bulb included:	Yes - SMD	Lm:	3400	USB_C:	No
Class:	Class III	Effi LS:	D / E	Shade:	No
IP:	20	CRI:	80,00	Dimmable:	Progressive 0-100% dimmer included
Driver inc.:	Yes	Lamp Power:	46,00W		
Voltage/Frequence:	24V DC / 2A	Applied Standard:	CE / LVD		

PACKAGING DETAILS

	Individual Box	Outer Box	Master Box
Type:	MDC - BROWN PRINTED		
Units:	1.00	0.00	0.00
Measures:	0350-0350-1030	_____	_____
Gross Weight (kg):	8.50	-	-
CTN 40':	443,00		

OBSERVATIONS

