

TECHNICAL DATA 589643509

LAMP INFO	
Description:	RIGA XS dim SN Ø96 DC 30W 3A LED 24W CCT + RC
Mark:	40000 FAN w/Light
Reference:	589643509
Range:	57748 RIGA
Code EAN:	8421797896430
Measures (mm):	0965-0965-0450
Weight (kg):	4.84

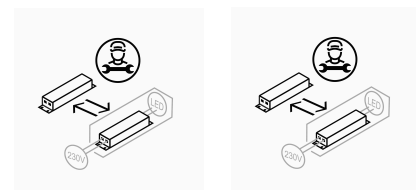
Lampholder/Watts:	LED 24W	CCT:	3 steps CCT 3000K-4000K-6000K	Switch:	Remote Control
Bulb included:	Yes - SMD	Lm:	2200	USB_C:	No
Class:	Class I	Effi LS:	E	Shade:	No
IP:	20	CRI:	80,00	Dimmable:	Progressive 0-100% dimmer included
Driver inc.:	Yes	Lamp Power:	54,00W		
Voltage/Frequence:	230V - 50Hz	Applied Standard:	CE / LVD		

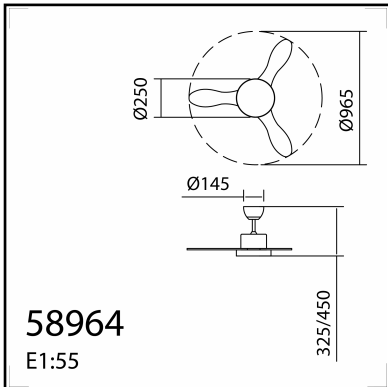
PACKAGING DETAILS

	Individual Box	Outer Box	Master Box
Type:	COLOR BOX		
Units:	1.00	0.00	0.00
Measures:	0600-0310-0315		
Gross Weight (kg):	6.00	-	-
CTN 40':	955,00		

OBSERVATIONS

Modes: 6 / Speed (Rpm): 76 / 104 / 127 / 152 / 177 / 200
Power (W): 4 / 6 / 8 / 12 / 20 / 30
Airflow (m3/h): 2320 / 3016 / 3712 / 4408 / 5104 / 5800
Room sizes: 8-15m2 / Number of blades: 3





TECHNICAL DATA 589644309

LAMP INFO	
Description:	RIGA XS dim AB Ø96 DC 30W 3A LED 24W CCT + RC
Mark:	40000 FAN w/Light
Reference:	589644309
Range:	57748 RIGA
Code EAN:	8421797896447
Measures (mm):	0965-0965-0450
Weight (kg):	4.84

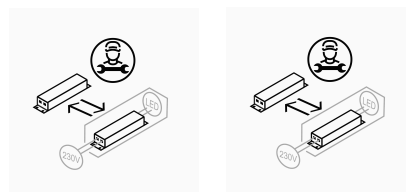
Lampholder/Watts:	LED 24W	CCT:	3 steps CCT 3000K-4000K-6000K	Switch:	Remote Control
Bulb included:	Yes - SMD	Lm:	2200	USB_C:	No
Class:	Class I	Effi LS:	E	Shade:	No
IP:	20	CRI:	80,00	Dimmable:	Progressive 0-100% dimmer included
Driver inc.:	Yes	Lamp Power:	54,00W		
Voltage/Frequence:	230V - 50Hz	Applied Standard:	CE / LVD		

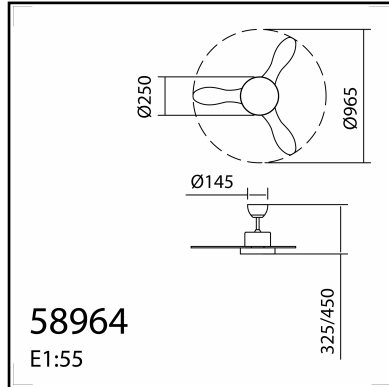
PACKAGING DETAILS

	Individual Box	Outer Box	Master Box
Type:	COLOR BOX		
Units:	1.00	0.00	0.00
Measures:	0600-0310-0315		
Gross Weight (kg):	6.00	-	-
CTN 40':	955,00		

OBSERVATIONS

Modes: 6 / Speed (Rpm): 76 / 104 / 127 / 152 / 177 / 200
Power (W): 4 / 6 / 8 / 12 / 20 / 30
Airflow (m3/h): 2320 / 3016 / 3712 / 4408 / 5104 / 5800
Room sizes: 8-15m2 / Number of blades: 3





58964
E1:55

TECHNICAL DATA 589648109

LAMP INFO	
Description:	RIGA XS dim WH Ø96 DC 30W 3A LED 24W CCT + RC
Mark:	40000 FAN w/Light
Reference:	589648109
Range:	57748 RIGA
Code EAN:	8421797896485
Measures (mm):	0965-0965-0450
Weight (kg):	4.84

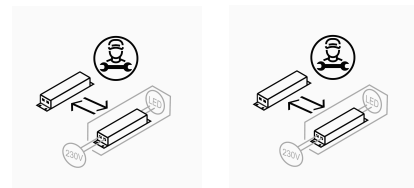
Lampholder/Watts:	LED 24W	CCT:	3 steps CCT 3000K-4000K-6000K	Switch:	Remote Control
Bulb included:	Yes - SMD	Lm:	2200	USB_C:	No
Class:	Class I	Effi LS:	E	Shade:	No
IP:	20	CRI:	80,00	Dimmable:	Progressive 0-100% dimmer included
Driver inc.:	Yes	Lamp Power:	54,00W		
Voltage/Frequence:	230V - 50Hz	Applied Standard:	CE / LVD		

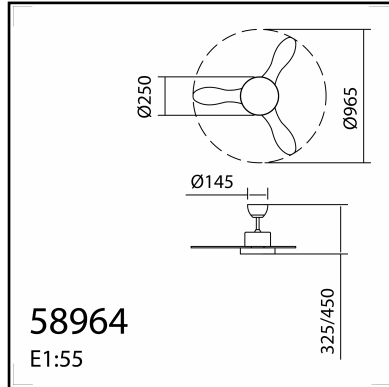
PACKAGING DETAILS

	Individual Box	Outer Box	Master Box
Type:	COLOR BOX		
Units:	1.00	0.00	0.00
Measures:	0600-0310-0315		
Gross Weight (kg):	6.00	-	-
CTN 40':	955,00		

OBSERVATIONS

Modes: 6 / Speed (Rpm): 76 / 104 / 127 / 152 / 177 / 200
Power (W): 4 / 6 / 8 / 12 / 20 / 30
Airflow (m3/h): 2320 / 3016 / 3712 / 4408 / 5104 / 5800
Room sizes: 8-15m2 / Number of blades: 3





58964
E1:55

TECHNICAL DATA 589648709

LAMP INFO	
Description:	RIGA XS dim WH+WOOD Ø96 DC 30W 3A LED 24W CCT + RC
Mark:	40000 FAN w/Light
Reference:	589648709
Range:	57748 RIGA
Code EAN:	8421797896478
Measures (mm):	0965-0965-0450
Weight (kg):	4.84

Lampholder/Watts:	LED 24W	CCT:	3 steps CCT 3000K-4000K-6000K	Switch:	Remote Control
Bulb included:	Yes - SMD	Lm:	2200	USB_C:	No
Class:	Class I	Effi LS:	E	Shade:	No
IP:	20	CRI:	80,00	Dimmable:	Progressive 0-100% dimmer included
Driver inc.:	Yes	Lamp Power:	54,00W		
Voltage/Frequence:	230V - 50Hz	Applied Standard:	CE / LVD		

PACKAGING DETAILS

	Individual Box	Outer Box	Master Box
Type:	COLOR BOX		
Units:	1.00	0.00	0.00
Measures:	0600-0310-0315		
Gross Weight (kg):	6.00	-	-
CTN 40':	955,00		

OBSERVATIONS

Modes: 6 / Speed (Rpm): 76 / 104 / 127 / 152 / 177 / 200
Power (W): 4 / 6 / 8 / 12 / 20 / 30
Airflow (m3/h): 2320 / 3016 / 3712 / 4408 / 5104 / 5800
Room sizes: 8-15m2 / Number of blades: 3

