

**TECHNICAL DATA 589628109**

LAMP INFO	
Description:	FAN CRETA XL WH Ø1066 DC 32W 3A LED 24W CCT + RC
Mark:	40000 FAN w/Light
Reference:	589628109
Range:	58960 CRETA
Code EAN:	8421797896287
Measures (mm):	1066-1066-0277
Weight (kg):	5.20

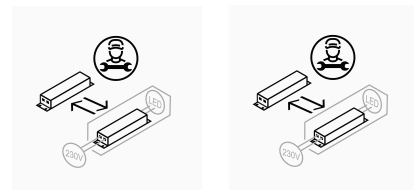
Lampholder/Watts:	LED 24W	CCT:	3 steps CCT 3000K-4000K-6000K	Switch:	Remote Control
Bulb included:	Yes - SMD	Lm:	2400	USB_C:	No
Class:	Class I	Effi LS:	F	Shade:	No
IP:	20	CRI:	-	Dimmable:	No
Driver inc.:	Yes	Lamp Power:	56,00W		
Voltage/Frequence:	230V - 50Hz	Applied Standard:	CE / LVD		

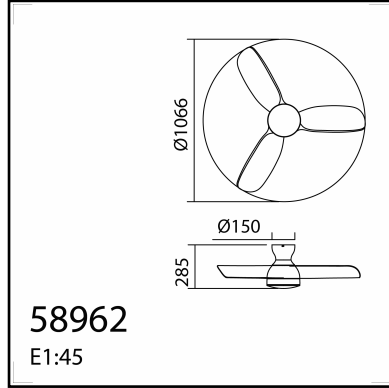
**PACKAGING DETAILS**

	Individual Box	Outer Box	Master Box
Type:	COLOR BOX		
Units:	1.00	0.00	0.00
Measures:	0765-0320-0305		
Gross Weight (kg):	7.00	-	-
CTN 40°:	750,00		

**OBSERVATIONS**

Modes: 6 / Speed (Rpm): 119 / 135 / 150 / 166 / 182 / 196
Power (W): 8 / 11 / 15 / 19 / 25 / 32
Airflow (m3/h): 3480 / 4785 / 5178 / 5656 / 6961 / 8049
Room sizes: 15-30m2 / Number of blades: 3





**TECHNICAL DATA 589628709**

LAMP INFO	
Description:	FAN CRETA XL WH+wood Ø1066 DC32W 3A LED 24W CCT+RC
Mark:	40000 FAN w/Light
Reference:	589628709
Range:	58960 CRETA
Code EAN:	8421797896270
Measures (mm):	1066-1066-0277
Weight (kg):	5.20

Lampholder/Watts:	LED 24W	CCT:	3 steps CCT 3000K-4000K-6000K	Switch:	Remote Control
Bulb included:	Yes - SMD	Lm:	2400	USB_C:	No
Class:	Class I	Effi LS:	F	Shade:	No
IP:	20	CRI:	-	Dimmable:	No
Driver inc.:	Yes	Lamp Power:	56,00W		
Voltage/Frequence:	230V - 50Hz	Applied Standard:	CE / LVD		

**PACKAGING DETAILS**

	Individual Box	Outer Box	Master Box
Type:	COLOR BOX		
Units:	1.00	0.00	0.00
Measures:	0765-0320-0305		
Gross Weight (kg):	7.00	-	-
CTN 40°:	750,00		

**OBSERVATIONS**

Modes: 6 / Speed (Rpm): 119 / 135 / 150 / 166 / 182 / 196
Power (W): 8 / 11 / 15 / 19 / 25 / 32
Airflow (m3/h): 3480 / 4785 / 5178 / 5656 / 6961 / 8049
Room sizes: 15-30m2 / Number of blades: 3

