

TECHNICAL DATA 589618109

LAMP INFO

Description:	FAN CRETA WH Ø915 DC 30W 3A LED 24W CCT+RC		
Mark:	40000	FAN w/Light	
Reference:	589618109		
Range:	58960	CRETA	
Code EAN:	8421797896188		
Measures (mm):	0915-0915-0277		
Weight (kg):	3.10		

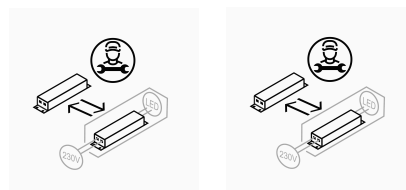
Lampholder/Watts:	LED 24W	CCT:	3 steps CCT 3000K-4000K-6000K	Switch:	Remote Control
Bulb included:	Yes - SMD	Lm:	2400	USB_C:	No
Class:	Class I	Effi LS:	F	Shade:	No
IP:	20	CRI:	-	Dimmable:	No
Driver inc.:	Yes	Lamp Power:	54,00W		
Voltage/Frequence:	230V - 50Hz	Applied Standard:	CE / LVD		

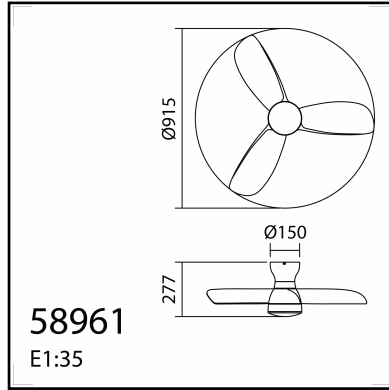
PACKAGING DETAILS

	Individual Box	Outer Box	Master Box
Type:	COLOR BOX		
Units:	1.00	0.00	0.00
Measures:	0620-0280-0315	_____	_____
Gross Weight (kg):	5.00	-	-
CTN 40':	1.024,00		

OBSERVATIONS

Modes: 6 / Speed (Rpm): 122 / 137 / 158 / 167 / 180 / 193
Power (W): 6 / 8 / 12 / 17 / 22 / 30
Airflow (m3/h): 3118 / 3714 / 4419 / 5237 / 5772 / 6282
Room sizes: 8-15m2 / Number of blades: 3





TECHNICAL DATA 589618709

LAMP INFO	
Description:	FAN CRETA WH+wood Ø61 DC 24W 3A LED 24W CCT+RC
Mark:	40000 FAN w/Light
Reference:	589618709
Range:	58960 CRETA
Code EAN:	8421797896195
Measures (mm):	0915-0915-0277
Weight (kg):	3.10

Lampholder/Watts:	LED 24W	CCT:	3 steps CCT 3000K-4000K-6000K	Switch:	Remote Control
Bulb included:	Yes - SMD	Lm:	2400	USB_C:	No
Class:	Class I	Effi LS:	F	Shade:	No
IP:	20	CRI:	-	Dimmable:	No
Driver inc.:	Yes	Lamp Power:	54,00W		
Voltage/Frequence:	230V - 50Hz	Applied Standard:	CE / LVD		

PACKAGING DETAILS

	Individual Box	Outer Box	Master Box
Type:	COLOR BOX		
Units:	1.00	0.00	0.00
Measures:	0620-0280-0315		
Gross Weight (kg):	5.00	-	-
CTN 40':	1.024,00		

OBSERVATIONS

Modes: 6 / Speed (Rpm): 122 / 137 / 158 / 167 / 180 / 193
Power (W): 6 / 8 / 12 / 17 / 22 / 30
Airflow (m3/h): 3118 / 3714 / 4419 / 5237 / 5772 / 6282
Room sizes: 8-15m2 / Number of blades: 3

