

TECHNICAL DATA 589608109

LAMP INFO	
Description:	FAN CRETA XS WH Ø61 DC 24W 3A LED 24W CCT + RC
Mark:	40000 FAN w/Light
Reference:	589608109
Range:	58960 CRETA
Code EAN:	8421797896003
Measures (mm):	0610-0610-0277
Weight (kg):	2.90

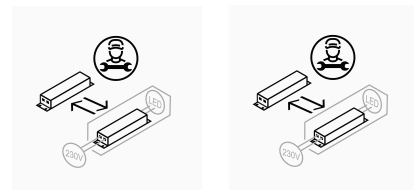
Lampholder/Watts:	LED 24W	CCT:	3 steps CCT 3000K-4000K-6000K	Switch:	Remote Control
Bulb included:	Yes - SMD	Lm:	2400	USB_C:	No
Class:	Class I	Effi LS:	F	Shade:	No
IP:	20	CRI:	-	Dimmable:	No
Driver inc.:	Yes	Lamp Power:	48,00W		
Voltage/Frequence:	230V - 50Hz	Applied Standard:	CE / LVD		

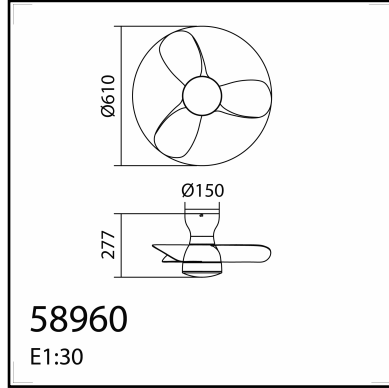
PACKAGING DETAILS

	Individual Box	Outer Box	Master Box
Type:	COLOR BOX		
Units:	1.00	0.00	0.00
Measures:	0490-0280-0315		
Gross Weight (kg):	4.50	-	-
CTN 40':	1.295,00		

OBSERVATIONS

Modes: 6 / Speed (Rpm): 210 / 230 / 270 / 300 / 330 / 370
Power (W): 6 / 8 / 12 / 14 / 18 / 24
Airflow (m3/h): 2873 / 3147 / 3694 / 4105 / 4515 / 5063
Room sizes: 8-15m2 / Number of blades: 3





TECHNICAL DATA 589608709

LAMP INFO	
Description:	FAN CRETA XS WH+wood Ø61 DC 24W 3A LED 24W CCT+RC
Mark:	40000 FAN w/Light
Reference:	589608709
Range:	58960 CRETA
Code EAN:	8421797896072
Measures (mm):	0610-0610-0277
Weight (kg):	2.90

Lampholder/Watts:	LED 24W	CCT:	3 steps CCT 3000K-4000K-6000K	Switch:	Remote Control
Bulb included:	Yes - SMD	Lm:	2400	USB_C:	No
Class:	Class I	Effi LS:	F	Shade:	No
IP:	20	CRI:	-	Dimmable:	No
Driver inc.:	Yes	Lamp Power:	48,00W		
Voltage/Frequence:	230V - 50Hz	Applied Standard:	CE / LVD		

PACKAGING DETAILS

	Individual Box	Outer Box	Master Box
Type:	COLOR BOX		
Units:	1.00	0.00	0.00
Measures:	0490-0280-0315		
Gross Weight (kg):	4.50	-	-
CTN 40':	1.295,00		

OBSERVATIONS

Modes: 6 / Speed (Rpm): 210 / 230 / 270 / 300 / 330 / 370
Power (W): 6 / 8 / 12 / 14 / 18 / 24
Airflow (m3/h): 2873 / 3147 / 3694 / 4105 / 4515 / 5063
Room sizes: 8-15m2 / Number of blades: 3

