

TECHNICAL DATA 589556101

LAMP INFO

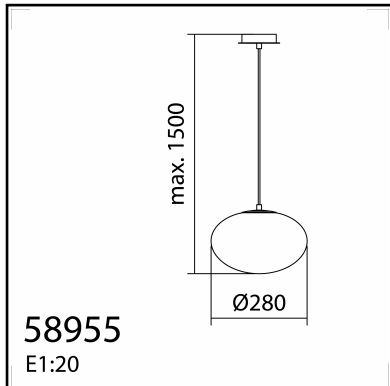
Description:	PL PRESS MBss 1xE27 Ø28cm opal glass
Mark:	10000 PD Pendant
Reference:	589556101
Range:	58950 PRESS
Code EAN:	8421797895549
Measures (mm):	0280-0280-1500
Weight (kg):	1.25

Lampholder/Watts:	E27 LED max. 20W	CCT:	-	Switch:	No
Bulb included:	No	Lm:	-	USB_C:	No
Class:	Class I	Effi LS:	-	Shade:	No
IP:	20	CRI:	-	Dimmable:	No
Driver inc.:	No	Lamp Power:	-		
Voltage/Frequence:	230V - 50Hz	Applied Standard:	CE / LVD		

PACKAGING DETAILS

	Individual Box	Outer Box	Master Box
Type:	MDC - BROWN PRINTED	MDC - MARRON / BROWN	
Units:	1.00	4.00	0.00
Measures:	0420-0350-0260	0730-0435-0550	
Gross Weight (kg):	1.50	7.20	-
CTN 40':	1.282,00		

OBSERVATIONS



TECHNICAL DATA 589559101

LAMP INFO

Description:	PL PRESS BK 1xE27 Ø28cm opal glass
Mark:	10000 PD Pendant
Reference:	589559101
Range:	58950 PRESS
Code EAN:	8421797895594
Measures (mm):	0280-0280-1500
Weight (kg):	1.25

Lampholder/Watts:	E27 LED max. 20W	CCT:	-	Switch:	No
Bulb included:	No	Lm:	-	USB_C:	No
Class:	Class I	Effi LS:	-	Shade:	No
IP:	20	CRI:	-	Dimmable:	No
Driver inc.:	No	Lamp Power:	-		
Voltage/Frequence:	230V - 50Hz	Applied Standard:	CE / LVD		

PACKAGING DETAILS

	Individual Box	Outer Box	Master Box
Type:	MDC - BROWN PRINTED	MDC - MARRON / BROWN	
Units:	1.00	4.00	0.00
Measures:	0420-0350-0260	0730-0435-0550	
Gross Weight (kg):	1.50	7.20	-
CTN 40':	1.282,00		

OBSERVATIONS
