

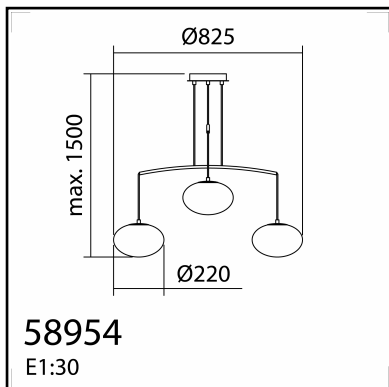
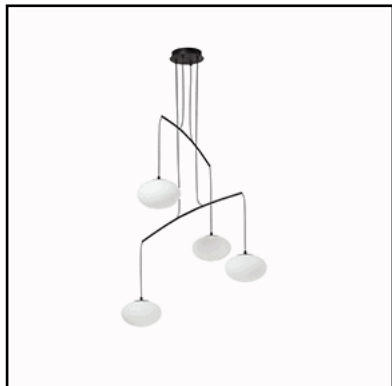
TECHNICAL DATA 589546101

LAMP INFO	
Description:	PL PRESS MBss 4xE27 opal glass
Mark:	10000 PD Pendant
Reference:	589546101
Range:	58950 PRESS
Code EAN:	8421797896065
Measures (mm):	0825-0600-1500
Weight (kg):	-

Lampholder/Watts:	4xE27 LED max. 20W	CCT:	-	Switch:	No
Bulb included:	No	Lm:	-	USB_C:	No
Class:	Class I	Effi LS:	-	Shade:	No
IP:	20	CRI:	-	Dimmable:	No
Driver inc.:	No	Lamp Power:	-		
Voltage/Frequence:	230V - 50Hz	Applied Standard:	CE / LVD		

PACKAGING DETAILS			
	Individual Box	Outer Box	Master Box
Type:	MDC - BROWN PRINTED	MDC - MARRON / BROWN	
Units:	1.00	2.00	0.00
Measures:	1020-0500-0210	1030-0510-0415	_____
Gross Weight (kg):	-	-	-
CTN 40':	513,00		

OBSERVATIONS



TECHNICAL DATA 589549101

LAMP INFO	
Description:	PL PRESS BK 4xE27 opal glass
Mark:	10000 PD Pendant
Reference:	589549101
Range:	58950 PRESS
Code EAN:	8421797896096
Measures (mm):	0825-0600-1500
Weight (kg):	-

Lampholder/Watts:	4xE27 LED max. 20W	CCT:	-	Switch:	No
Bulb included:	No	Lm:	-	USB_C:	No
Class:	Class I	Effi LS:	-	Shade:	No
IP:	20	CRI:	-	Dimmable:	No
Driver inc.:	No	Lamp Power:	-		
Voltage/Frequence:	230V - 50Hz	Applied Standard:	CE / LVD		

PACKAGING DETAILS

	Individual Box	Outer Box	Master Box
Type:	MDC - BROWN PRINTED	MDC - MARRON / BROWN	
Units:	1.00	2.00	0.00
Measures:	1020-0500-0210	1030-0510-0415	_____
Gross Weight (kg):	-	-	-
CTN 40':	513,00		

OBSERVATIONS
