

**TECHNICAL DATA 589536101**

LAMP INFO	
Description:	PL PRESS MBss 1xE27 Ø22cm opal glass
Mark:	10000 PD Pendant
Reference:	589536101
Range:	58950 PRESS
Code EAN:	8421797895341
Measures (mm):	0220-0220-1500
Weight (kg):	0.90

Lampholder/Watts:	E27 LED max. 20W	CCT:	-	Switch:	No
Bulb included:	No	Lm:	-	USB_C:	No
Class:	Class I	Effi LS:	-	Shade:	No
IP:	20	CRI:	-	Dimmable:	No
Driver inc.:	No	Lamp Power:	-		
Voltage/Frequence:	230V - 50Hz	Applied Standard:	CE / LVD		

PACKAGING DETAILS			
	Individual Box	Outer Box	Master Box
Type:	MDC - BROWN PRINTED	MDC - MARRON / BROWN	
Units:	1.00	4.00	0.00
Measures:	0410-0290-0210	0590-0420-0415	
Gross Weight (kg):	1.08	5.20	-
CTN 40':	2.178,00		

OBSERVATIONS

---



---



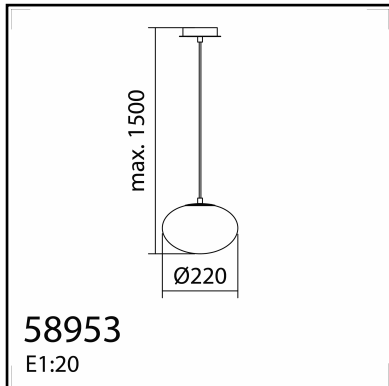
---



---



---



**TECHNICAL DATA 589539101**

LAMP INFO	
Description:	PL PRESS BK 1xE27 Ø22cm opal glass
Mark:	10000 PD Pendant
Reference:	589539101
Range:	58950 PRESS
Code EAN:	8421797895396
Measures (mm):	0220-0220-1500
Weight (kg):	0.90

Lampholder/Watts:	E27 LED max. 20W	CCT:	-	Switch:	No
Bulb included:	No	Lm:	-	USB_C:	No
Class:	Class I	Effi LS:	-	Shade:	No
IP:	20	CRI:	-	Dimmable:	No
Driver inc.:	No	Lamp Power:	-		
Voltage/Frequence:	230V - 50Hz	Applied Standard:	CE / LVD		

PACKAGING DETAILS			
	Individual Box	Outer Box	Master Box
Type:	MDC - BROWN PRINTED	MDC - MARRON / BROWN	
Units:	1.00	4.00	0.00
Measures:	0410-0290-0210	0590-0420-0415	
Gross Weight (kg):	1.08	5.20	-
CTN 40':	2.178,00		

OBSERVATIONS

---



---



---



---



---