

TECHNICAL DATA 589526101

LAMP INFO

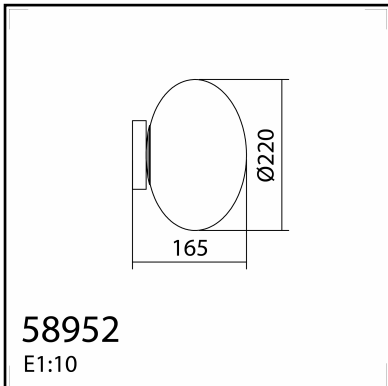
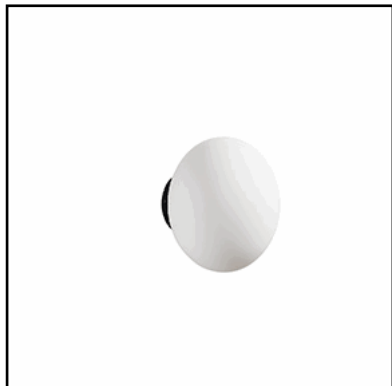
Description:	WL PRESS MBss 1xE27 opal glass
Mark:	10002 WL Wall Lamp
Reference:	589526101
Range:	58950 PRESS
Code EAN:	8421797895242
Measures (mm):	0220-0220-0165
Weight (kg):	0.80

Lampholder/Watts:	E27 LED max. 20W	CCT:	-	Switch:	No
Bulb included:	No	Lm:	-	USB_C:	No
Class:	Class I	Effi LS:	-	Shade:	No
IP:	20	CRI:	-	Dimmable:	No
Driver inc.:	No	Lamp Power:	-		
Voltage/Frequence:	230V - 50Hz	Applied Standard:	CE / LVD		

PACKAGING DETAILS

	Individual Box	Outer Box	Master Box
Type:	MDC - BROWN PRINTED	MDC - MARRON / BROWN	
Units:	1.00	4.00	0.00
Measures:	0280-0280-0240	0570-0290-0475	
Gross Weight (kg):	0.96	4.60	-
CTN 40':	2.852,00		

OBSERVATIONS



TECHNICAL DATA 589529101

LAMP INFO

Description:	WL PRESS BK 1xE27 opal glass
Mark:	10002 WL Wall Lamp
Reference:	589529101
Range:	58950 PRESS
Code EAN:	8421797895297
Measures (mm):	0220-0220-0165
Weight (kg):	0.80

Lampholder/Watts:	E27 LED max. 20W	CCT:	-	Switch:	No
Bulb included:	No	Lm:	-	USB_C:	No
Class:	Class I	Effi LS:	-	Shade:	No
IP:	20	CRI:	-	Dimmable:	No
Driver inc.:	No	Lamp Power:	-		
Voltage/Frequence:	230V - 50Hz	Applied Standard:	CE / LVD		

PACKAGING DETAILS

	Individual Box	Outer Box	Master Box
Type:	MDC - BROWN PRINTED	MDC - MARRON / BROWN	
Units:	1.00	4.00	0.00
Measures:	0280-0280-0240	0570-0290-0475	
Gross Weight (kg):	0.96	4.60	-
CTN 40':	2.852,00		

OBSERVATIONS
