

TECHNICAL DATA 589516101

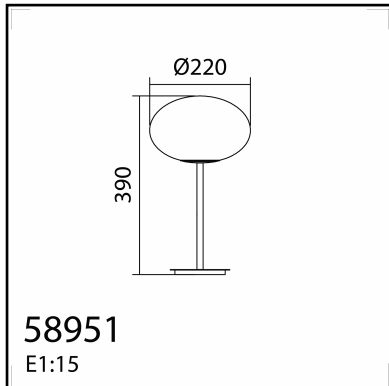
LAMP INFO	
Description:	TL PRESS MBss 1xE27 opal glass
Mark:	20001 TL Table Lamp
Reference:	589516101
Range:	58950 PRESS
Code EAN:	8421797895167
Measures (mm):	0220-0220-0390
Weight (kg):	1.55

Lampholder/Watts:	E27 LED max. 20W	CCT:	-	Switch:	No
Bulb included:	No	Lm:	-	USB_C:	No
Class:	Class II	Effi LS:	-	Shade:	No
IP:	20	CRI:	-	Dimmable:	No
Driver inc.:	No	Lamp Power:	-		
Voltage/Frequence:	230V - 50Hz	Applied Standard:	CE / LVD		

PACKAGING DETAILS

	Individual Box	Outer Box	Master Box
Type:	MDC - BROWN PRINTED	MDC - MARRON / BROWN	
Units:	1.00	4.00	0.00
Measures:	0370-0310-0280	0630-0380-0555	
Gross Weight (kg):	1.86	8.90	-
CTN 40':	1.685,00		

OBSERVATIONS



TECHNICAL DATA 589519101

LAMP INFO	
Description:	TL PRESS BK 1xE27 opal glass
Mark:	20001 TL Table Lamp
Reference:	589519101
Range:	58950 PRESS
Code EAN:	8421797895198
Measures (mm):	0220-0220-0390
Weight (kg):	1.55

Lampholder/Watts:	E27 LED max. 20W	CCT:	-	Switch:	No
Bulb included:	No	Lm:	-	USB_C:	No
Class:	Class II	Effi LS:	-	Shade:	No
IP:	20	CRI:	-	Dimmable:	No
Driver inc.:	No	Lamp Power:	-		
Voltage/Frequence:	230V - 50Hz	Applied Standard:	CE / LVD		

PACKAGING DETAILS			
	Individual Box	Outer Box	Master Box
Type:	MDC - BROWN PRINTED	MDC - MARRON / BROWN	
Units:	1.00	4.00	0.00
Measures:	0370-0310-0280	0630-0380-0555	
Gross Weight (kg):	1.86	8.90	-
CTN 40':	1.685,00		

OBSERVATIONS
