

**TECHNICAL DATA 589506101**

LAMP INFO	
Description:	FL PRESS MBss 1xE27 opal glass
Mark:	20000 FL Floor Lamp
Reference:	589506101
Range:	58950 PRESS
Code EAN:	8421797895068
Measures (mm):	0280-0280-1503
Weight (kg):	4.55

Lampholder/Watts:	E27 LED max. 20W	CCT:	-	Switch:	No
Bulb included:	No	Lm:	-	USB_C:	No
Class:	Class II	Effi LS:	-	Shade:	No
IP:	20	CRI:	-	Dimmable:	No
Driver inc.:	No	Lamp Power:	-		
Voltage/Frequence:	230V - 50Hz	Applied Standard:	CE / LVD		

PACKAGING DETAILS			
	Individual Box	Outer Box	Master Box
Type:	MDC - BROWN PRINTED	MDC - MARRON / BROWN	
Units:	1.00	2.00	0.00
Measures:	0780-0300-0350	0790-0310-0710	
Gross Weight (kg):	5.50	13.10	-
CTN 40':	644,00		

**OBSERVATIONS**

---



---



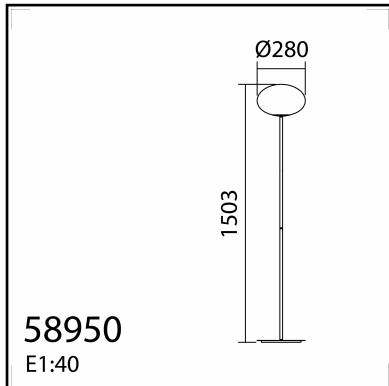
---



---



---



**TECHNICAL DATA 589509101**

LAMP INFO	
Description:	FL PRESS BK 1xE27 opal glass
Mark:	20000 FL Floor Lamp
Reference:	589509101
Range:	58950 PRESS
Code EAN:	8421797895099
Measures (mm):	0280-0280-1503
Weight (kg):	4.55

Lampholder/Watts:	E27 LED max. 20W	CCT:	-	Switch:	No
Bulb included:	No	Lm:	-	USB_C:	No
Class:	Class II	Effi LS:	-	Shade:	No
IP:	20	CRI:	-	Dimmable:	No
Driver inc.:	No	Lamp Power:	-		
Voltage/Frequence:	230V - 50Hz	Applied Standard:	CE / LVD		

**PACKAGING DETAILS**

	Individual Box	Outer Box	Master Box
Type:	MDC - BROWN PRINTED	MDC - MARRON / BROWN	
Units:	1.00	2.00	0.00
Measures:	0780-0300-0350	0790-0310-0710	
Gross Weight (kg):	5.50	13.10	-
CTN 40':	644,00		

**OBSERVATIONS**

---



---



---



---



---