

TECHNICAL DATA 589456102

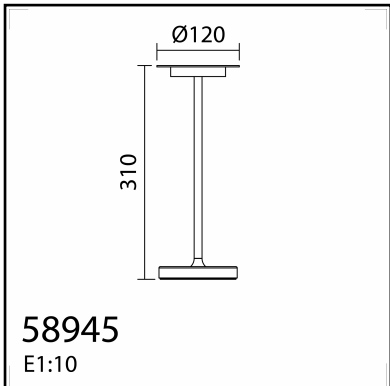
LAMP INFO	
Description:	TL SENSE MBss 5W BAT
Mark:	20001 TL Table Lamp
Reference:	589456102
Range:	58945 SENSE
Code EAN:	8421797894566
Measures (mm):	0120-0120-0310
Weight (kg):	0.80

Lampholder/Watts:	LED - 5W	CCT:	3000K	Switch:	Touch
Bulb included:	Yes - SMD	Lm:	150	USB_C:	Yes
Class:	Class III	Effi LS:	G	Shade:	No
IP:	20	CRI:	80,00	Dimmable:	3 steps dimmer included
Driver inc.:	Yes	Lamp Power:	5,00W		
Voltage/Frequence:	DC 5V - 1A	Applied Standard:	CE / LVD		

PACKAGING DETAILS

	Individual Box	Outer Box	Master Box
Type:	MDC - BROWN PRINTED	MDC - MARRON / BROWN	
Units:	1.00	12.00	0.00
Measures:	0315-0135-0135	0325-0560-0425	
Gross Weight (kg):	0.96	13.80	
CTN 40':	8.687,00		

OBSERVATIONS



TECHNICAL DATA 589458102

LAMP INFO

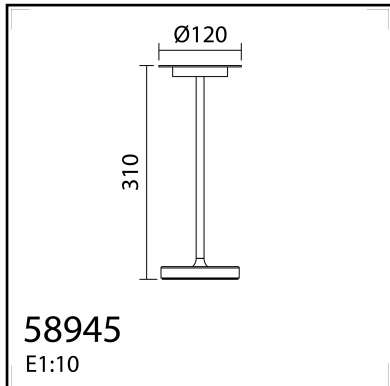
Description:	TL SENSE WH 5W BAT
Mark:	20001 TL Table Lamp
Reference:	589458102
Range:	58945 SENSE
Code EAN:	8421797894580
Measures (mm):	0120-0120-0310
Weight (kg):	0.80

Lampholder/Watts:	LED - 5W	CCT:	3000K	Switch:	Touch
Bulb included:	Yes - SMD	Lm:	150	USB_C:	Yes
Class:	Class III	Effi LS:	G	Shade:	No
IP:	20	CRI:	80,00	Dimmable:	3 steps dimmer included
Driver inc.:	Yes	Lamp Power:	5,00W		
Voltage/Frequence:	DC 5V - 1A	Applied Standard:	CE / LVD		

PACKAGING DETAILS

	Individual Box	Outer Box	Master Box
Type:	MDC - BROWN PRINTED	MDC - MARRON / BROWN	
Units:	1.00	12.00	0.00
Measures:	0315-0135-0135	0325-0560-0425	
Gross Weight (kg):	0.96	13.80	
CTN 40':	8.687,00		

OBSERVATIONS



TECHNICAL DATA 589459102

LAMP INFO

Description:	TL SENSE BK 5W BAT
Mark:	20001 TL Table Lamp
Reference:	589459102
Range:	58945 SENSE
Code EAN:	8421797894597
Measures (mm):	0120-0120-0310
Weight (kg):	0.80

Lampholder/Watts:	LED - 5W	CCT:	3000K	Switch:	Touch
Bulb included:	Yes - SMD	Lm:	150	USB_C:	Yes
Class:	Class III	Effi LS:	G	Shade:	No
IP:	20	CRI:	80,00	Dimmable:	3 steps dimmer included
Driver inc.:	Yes	Lamp Power:	5,00W		
Voltage/Frequence:	DC 5V - 1A	Applied Standard:	CE / LVD		

PACKAGING DETAILS

	Individual Box	Outer Box	Master Box
Type:	MDC - BROWN PRINTED	MDC - MARRON / BROWN	
Units:	1.00	12.00	0.00
Measures:	0315-0135-0135	0325-0560-0425	
Gross Weight (kg):	0.96	13.80	
CTN 40':	8.687,00		

OBSERVATIONS
