

**TECHNICAL DATA 589098101**

LAMP INFO	
Description:	TL KAI WH E27
Mark:	20000 FL Floor Lamp
Reference:	589098101
Range:	58908 KAI
Code EAN:	8421797890988
Measures (mm):	0208-0160-0500
Weight (kg):	-

Lampholder/Watts:	E27 LED max.20W	CCT:	-	Switch:	Cord switch
Bulb included:	No	Lm:	-	USB_C:	No
Class:	Class II	Effi LS:	-	Shade:	No
IP:	20	CRI:	-	Dimmable:	No
Driver inc.:	No	Lamp Power:	-		
Voltage/Frequence:	230V - 50Hz	Applied Standard:	CE / LVD		

**PACKAGING DETAILS**

	Individual Box	Outer Box	Master Box
Type:	MDC - BROWN PRINTED	MDC - MARRON / BROWN	
Units:	1.00	4.00	0.00
Measures:	0500-0170-0140	0515-0300-0360	_____
Gross Weight (kg):	-	-	-
CTN 40':	4.027,00		

**OBSERVATIONS**

---



---



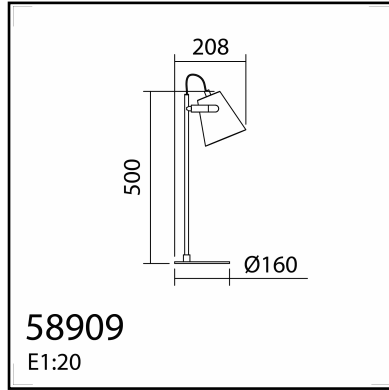
---



---



---



**TECHNICAL DATA 589099101**

LAMP INFO	
Description:	TL KAI BK E27
Mark:	20000 FL Floor Lamp
Reference:	589099101
Range:	58908 KAI
Code EAN:	8421797890995
Measures (mm):	0208-0160-0500
Weight (kg):	-

Lampholder/Watts:	E27 LED max.20W	CCT:	-	Switch:	Cord switch
Bulb included:	No	Lm:	-	USB_C:	No
Class:	Class II	Effi LS:	-	Shade:	No
IP:	20	CRI:	-	Dimmable:	No
Driver inc.:	No	Lamp Power:	-		
Voltage/Frequence:	230V - 50Hz	Applied Standard:	CE / LVD		

PACKAGING DETAILS			
	Individual Box	Outer Box	Master Box
Type:	MDC - BROWN PRINTED	MDC - MARRON / BROWN	
Units:	1.00	4.00	0.00
Measures:	0500-0170-0140	0515-0300-0360	_____
Gross Weight (kg):	-	-	-
CTN 40':	4.027,00		

**OBSERVATIONS**

---



---



---



---



---