

TECHNICAL DATA 588946101

LAMP INFO

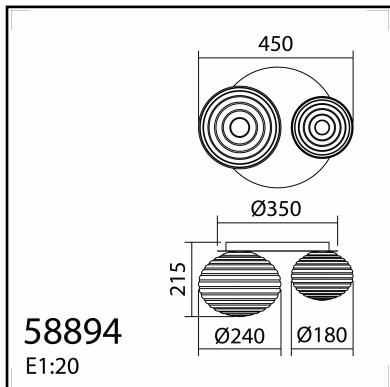
Description:	CL CIAO MBss 1xE27 Ø24 1xE27 Ø18		
Mark:	10001	CL Ceiling	
Reference:	588946101		
Range:	58890	CIAO	
Code EAN:	8421797889463		
Measures (mm):	0450-0350-0215		
Weight (kg):	2.90		

Lampholder/Watts:	2xE27 LED max.20W	CCT:	-	Switch:	No
Bulb included:	No	Lm:	-	USB_C:	No
Class:	Class I	Effi LS:	-	Shade:	No
IP:	20	CRI:	-	Dimmable:	No
Driver inc.:	No	Lamp Power:	-		
Voltage/Frequence:	230V - 50Hz	Applied Standard:	CE / LVD		

PACKAGING DETAILS

	Individual Box	Outer Box	Master Box
Type:	MDC - BROWN PRINTED	MDC - MARRON / BROWN	
Units:	1.00	4.00	0.00
Measures:	0410-0410-0370	0840-0430-0800	_____
Gross Weight (kg):	4.23	16.90	-
CTN 40':	775,00		

OBSERVATIONS



TECHNICAL DATA 588949101

LAMP INFO

Description:	CL CIAO BK 1xE27 Ø24 1xE27 Ø18
Mark:	10001 CL Ceiling
Reference:	588949101
Range:	58890 CIAO
Code EAN:	8421797889494
Measures (mm):	0450-0350-0215
Weight (kg):	2.90

Lampholder/Watts:	2xE27 LED max.20W	CCT:	-	Switch:	No
Bulb included:	No	Lm:	-	USB_C:	No
Class:	Class I	Effi LS:	-	Shade:	No
IP:	20	CRI:	-	Dimmable:	No
Driver inc.:	No	Lamp Power:	-		
Voltage/Frequence:	230V - 50Hz	Applied Standard:	CE / LVD		

PACKAGING DETAILS

	Individual Box	Outer Box	Master Box
Type:	MDC - BROWN PRINTED	MDC - MARRON / BROWN	
Units:	1.00	4.00	0.00
Measures:	0410-0410-0370	0840-0430-0800	
Gross Weight (kg):	4.23	16.90	-
CTN 40':	775,00		

OBSERVATIONS
