

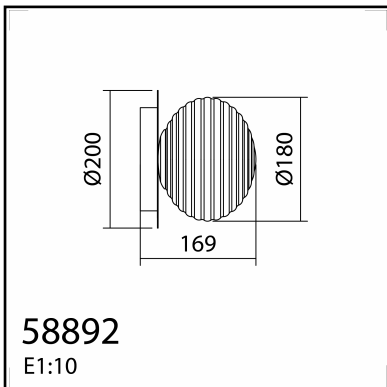
TECHNICAL DATA 588926101

LAMP INFO	
Description:	WL CIAO MBss 1XE27 Ø18
Mark:	10002 WL Wall Lamp
Reference:	588926101
Range:	58890 CIAO
Code EAN:	8421797889265
Measures (mm):	0200-0200-0169
Weight (kg):	1.00

Lampholder/Watts:	E27 LED max.20W	CCT:	-	Switch:	No
Bulb included:	No	Lm:	-	USB_C:	No
Class:	Class I	Effi LS:	-	Shade:	No
IP:	20	CRI:	-	Dimmable:	No
Driver inc.:	No	Lamp Power:	-		
Voltage/Frequence:	230V - 50Hz	Applied Standard:	CE / LVD		

PACKAGING DETAILS			
	Individual Box	Outer Box	Master Box
Type:	MDC - BROWN PRINTED	MDC - MARRON / BROWN	
Units:	1.00	4.00	0.00
Measures:	0260-0260-0270	0520-0270-0520	_____
Gross Weight (kg):	1.50	6.00	-
CTN 40':	3.068,00		

OBSERVATIONS



TECHNICAL DATA 588929101

LAMP INFO	
Description:	WL CIAO BK 1xE27 Ø18
Mark:	10002 WL Wall Lamp
Reference:	588929101
Range:	58890 CIAO
Code EAN:	8421797889296
Measures (mm):	0200-0200-0169
Weight (kg):	1.00

Lampholder/Watts:	E27 LED max.20W	CCT:	-	Switch:	No
Bulb included:	No	Lm:	-	USB_C:	No
Class:	Class I	Effi LS:	-	Shade:	No
IP:	20	CRI:	-	Dimmable:	No
Driver inc.:	No	Lamp Power:	-		
Voltage/Frequence:	230V - 50Hz	Applied Standard:	CE / LVD		

PACKAGING DETAILS			
	Individual Box	Outer Box	Master Box
Type:	MDC - BROWN PRINTED	MDC - MARRON / BROWN	
Units:	1.00	4.00	0.00
Measures:	0260-0260-0270	0520-0270-0520	
Gross Weight (kg):	1.50	6.00	-
CTN 40':	3.068,00		

OBSERVATIONS
