

TECHNICAL DATA 588916101

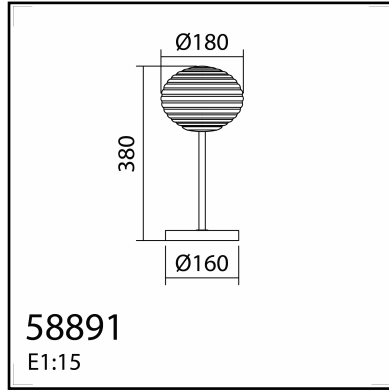
| LAMP INFO | |
|----------------|------------------------|
| Description: | TL CIAO MBss 1XE27 Ø18 |
| Mark: | 20001 TL Table Lamp |
| Reference: | 588916101 |
| Range: | 58890 CIAO |
| Code EAN: | 8421797889166 |
| Measures (mm): | 0180-0180-0380 |
| Weight (kg): | 2.40 |

| | | | | | |
|--------------------|-----------------|-------------------|----------|-----------|-------------|
| Lampholder/Watts: | E27 LED max.20W | CCT: | - | Switch: | Cord switch |
| Bulb included: | No | Lm: | - | USB_C: | No |
| Class: | Class II | Effi LS: | - | Shade: | No |
| IP: | 20 | CRI: | - | Dimmable: | No |
| Driver inc.: | No | Lamp Power: | - | | |
| Voltage/Frequence: | 230V - 50Hz | Applied Standard: | CE / LVD | | |

PACKAGING DETAILS

| | Individual Box | Outer Box | Master Box |
|--------------------|---------------------|----------------------|------------|
| Type: | MDC - BROWN PRINTED | MDC - MARRON / BROWN | |
| Units: | 1.00 | 4.00 | 0.00 |
| Measures: | 0350-0290-0240 | 0600-0370-0520 | |
| Gross Weight (kg): | 3.43 | 13.70 | - |
| CTN 40': | 1.940,00 | | |

OBSERVATIONS



TECHNICAL DATA 588919101

| LAMP INFO | |
|----------------|----------------------|
| Description: | TL CIAO BK 1XE27 Ø18 |
| Mark: | 20001 TL Table Lamp |
| Reference: | 588919101 |
| Range: | 58890 CIAO |
| Code EAN: | 8421797889197 |
| Measures (mm): | 0180-0180-0380 |
| Weight (kg): | 2.40 |

| | | | | | |
|--------------------|-----------------|-------------------|----------|-----------|-------------|
| Lampholder/Watts: | E27 LED max.20W | CCT: | - | Switch: | Cord switch |
| Bulb included: | No | Lm: | - | USB_C: | No |
| Class: | Class II | Effi LS: | - | Shade: | No |
| IP: | 20 | CRI: | - | Dimmable: | No |
| Driver inc.: | No | Lamp Power: | - | | |
| Voltage/Frequence: | 230V - 50Hz | Applied Standard: | CE / LVD | | |

PACKAGING DETAILS

| | Individual Box | Outer Box | Master Box |
|--------------------|---------------------|----------------------|------------|
| Type: | MDC - BROWN PRINTED | MDC - MARRON / BROWN | |
| Units: | 1.00 | 4.00 | 0.00 |
| Measures: | 0350-0290-0240 | 0600-0370-0520 | _____ |
| Gross Weight (kg): | 3.43 | 13.70 | - |
| CTN 40': | 1.940,00 | | |

OBSERVATIONS
