

TECHNICAL DATA 58886102

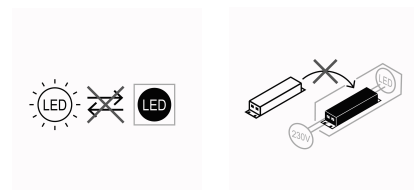
| LAMP INFO | |
|----------------|-------------------------|
| Description: | CL CORA WH 36W 37x37 4K |
| Mark: | 10001 CL Ceiling |
| Reference: | 58886102 |
| Range: | 58881 CORI |
| Code EAN: | 8421797888688 |
| Measures (mm): | 0370-0370-0050 |
| Weight (kg): | - |

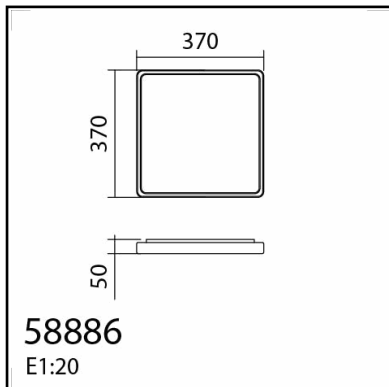
| | | | | | |
|--------------------|-------------|-------------------|----------|-----------|----|
| Lampholder/Watts: | LED 36W | CCT: | 4000K | Switch: | No |
| Bulb included: | Yes - SMD | Lm: | 3300 | USB_C: | No |
| Class: | Class I | Effi LS: | F | Shade: | No |
| IP: | 20 | CRI: | 84,30 | Dimmable: | No |
| Driver inc.: | Yes | Lamp Power: | 36,00W | | |
| Voltage/Frequence: | 230V - 50Hz | Applied Standard: | CE / LVD | | |

PACKAGING DETAILS

| | Individual Box | Outer Box | Master Box |
|--------------------|---------------------|----------------------|------------|
| Type: | MDC - BROWN PRINTED | MDC - MARRON / BROWN | |
| Units: | 1.00 | 10.00 | 0.00 |
| Measures: | 0400-0400-0060 | 0630-0415-0415 | _____ |
| Gross Weight (kg): | - | - | - |
| CTN 40': | 5.161,00 | | |

OBSERVATIONS





TECHNICAL DATA 588868109

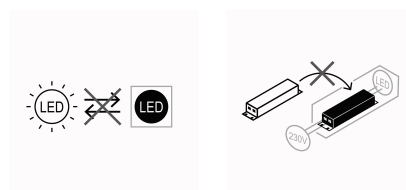
| LAMP INFO | |
|----------------|-------------------------|
| Description: | CL CORA WH 36W 37x37 3K |
| Mark: | 10001 CL Ceiling |
| Reference: | 588868109 |
| Range: | 58881 CORI |
| Code EAN: | 8421797888671 |
| Measures (mm): | 0370-0370-0050 |
| Weight (kg): | - |

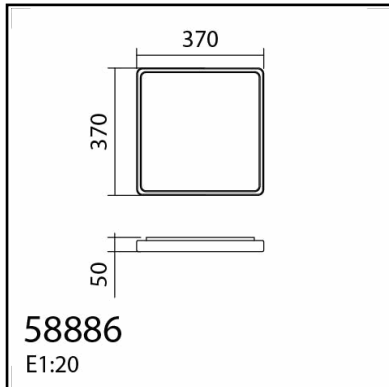
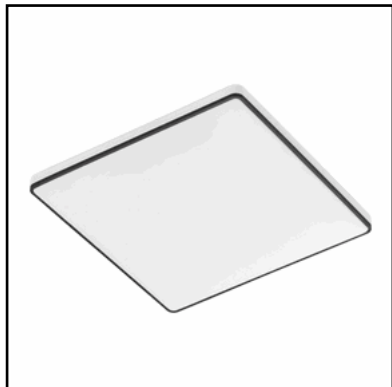
| | | | | | |
|--------------------|-------------|-------------------|----------|-----------|----|
| Lampholder/Watts: | LED 36W | CCT: | 3000K | Switch: | No |
| Bulb included: | Yes - SMD | Lm: | 3300 | USB_C: | No |
| Class: | Class I | Effi LS: | F | Shade: | No |
| IP: | 20 | CRI: | 84,30 | Dimmable: | No |
| Driver inc.: | Yes | Lamp Power: | 36,00W | | |
| Voltage/Frequence: | 230V - 50Hz | Applied Standard: | CE / LVD | | |

PACKAGING DETAILS

| | Individual Box | Outer Box | Master Box |
|--------------------|---------------------|----------------------|------------|
| Type: | MDC - BROWN PRINTED | MDC - MARRON / BROWN | |
| Units: | 1.00 | 10.00 | 0.00 |
| Measures: | 0400-0400-0060 | 0630-0415-0415 | _____ |
| Gross Weight (kg): | - | - | - |
| CTN 40': | 5.161,00 | | |

OBSERVATIONS





TECHNICAL DATA 588869102

LAMP INFO

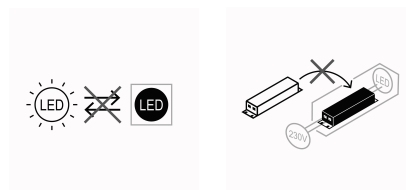
| | |
|----------------|-------------------------|
| Description: | CL CORA BK 36W 37x37 4K |
| Mark: | 10001 CL Ceiling |
| Reference: | 588869102 |
| Range: | 58881 CORI |
| Code EAN: | 8421797888695 |
| Measures (mm): | 0370-0370-0050 |
| Weight (kg): | - |

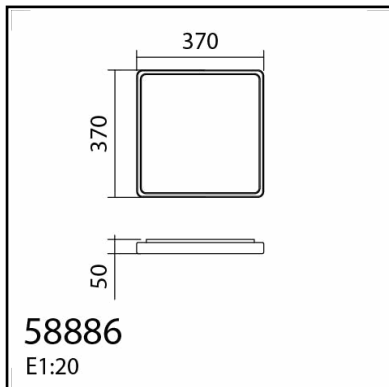
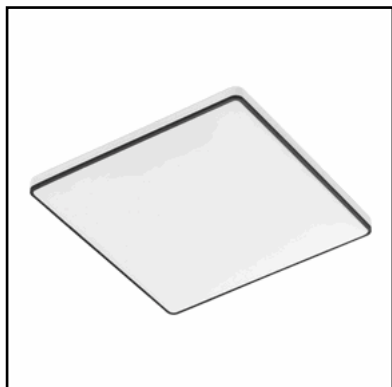
| | | | | | |
|--------------------|-------------|-------------------|----------|-----------|----|
| Lampholder/Watts: | LED 36W | CCT: | 4000K | Switch: | No |
| Bulb included: | Yes - SMD | Lm: | 3300 | USB_C: | No |
| Class: | Class I | Effi LS: | F | Shade: | No |
| IP: | 20 | CRI: | 84,30 | Dimmable: | No |
| Driver inc.: | Yes | Lamp Power: | 36,00W | | |
| Voltage/Frequence: | 230V - 50Hz | Applied Standard: | CE / LVD | | |

PACKAGING DETAILS

| | Individual Box | Outer Box | Master Box |
|--------------------|---------------------|----------------------|------------|
| Type: | MDC - BROWN PRINTED | MDC - MARRON / BROWN | |
| Units: | 1.00 | 10.00 | 0.00 |
| Measures: | 0400-0400-0060 | 0630-0415-0415 | _____ |
| Gross Weight (kg): | - | - | - |
| CTN 40': | 5.161,00 | | |

OBSERVATIONS





TECHNICAL DATA 588869109

| LAMP INFO | |
|----------------|-------------------------|
| Description: | CL CORA BK 36W 37x37 3K |
| Mark: | 10001 CL Ceiling |
| Reference: | 588869109 |
| Range: | 58881 CORI |
| Code EAN: | 8421797888664 |
| Measures (mm): | 0370-0370-0050 |
| Weight (kg): | - |

| | | | | | |
|--------------------|-------------|-------------------|----------|-----------|----|
| Lampholder/Watts: | LED 36W | CCT: | 3000K | Switch: | No |
| Bulb included: | Yes - SMD | Lm: | 3300 | USB_C: | No |
| Class: | Class I | Effi LS: | F | Shade: | No |
| IP: | 20 | CRI: | 84,30 | Dimmable: | No |
| Driver inc.: | Yes | Lamp Power: | 36,00W | | |
| Voltage/Frequence: | 230V - 50Hz | Applied Standard: | CE / LVD | | |

PACKAGING DETAILS

| | Individual Box | Outer Box | Master Box |
|--------------------|---------------------|----------------------|------------|
| Type: | MDC - BROWN PRINTED | MDC - MARRON / BROWN | |
| Units: | 1.00 | 10.00 | 0.00 |
| Measures: | 0400-0400-0060 | 0630-0415-0415 | _____ |
| Gross Weight (kg): | - | - | - |
| CTN 40': | 5.161,00 | | |

OBSERVATIONS

