

**TECHNICAL DATA 588768101**

**LAMP INFO**

|                       |                       |
|-----------------------|-----------------------|
| <b>Description:</b>   | WL TURA WH GU10 + USB |
| <b>Mark:</b>          | 10002 WL Wall Lamp    |
| <b>Reference:</b>     | 588768101             |
| <b>Range:</b>         | 58876 TURA            |
| <b>Code EAN:</b>      | 8421797887681         |
| <b>Measures (mm):</b> | 0235-0280-0230        |
| <b>Weight (kg):</b>   | -                     |

|                           |                   |                          |          |                  |               |
|---------------------------|-------------------|--------------------------|----------|------------------|---------------|
| <b>Lampholder/Watts:</b>  | GU10 LED max. 10W | <b>CCT:</b>              | -        | <b>Switch:</b>   | Rocker switch |
| <b>Bulb included:</b>     | No                | <b>Lm:</b>               | -        | <b>USB_C:</b>    | Yes           |
| <b>Class:</b>             | Class II          | <b>Effi LS:</b>          | -        | <b>Shade:</b>    | No            |
| <b>IP:</b>                | 20                | <b>CRI:</b>              | -        | <b>Dimmable:</b> | No            |
| <b>Driver inc.:</b>       | No                | <b>Lamp Power:</b>       | -        |                  |               |
| <b>Voltage/Frequence:</b> | 230V - 50Hz       | <b>Applied Standard:</b> | CE / LVD |                  |               |

**PACKAGING DETAILS**

|                           | Individual Box      | Outer Box            | Master Box |
|---------------------------|---------------------|----------------------|------------|
| <b>Type:</b>              | MDC - BROWN PRINTED | MDC - MARRON / BROWN |            |
| <b>Units:</b>             | 1.00                | 8.00                 | 0.00       |
| <b>Measures:</b>          | 0145-0065-0300      | 0320-0285-0310       | _____      |
| <b>Gross Weight (kg):</b> | -                   | -                    | -          |
| <b>CTN 40':</b>           | 15.846,00           |                      |            |

**OBSERVATIONS**

---



---



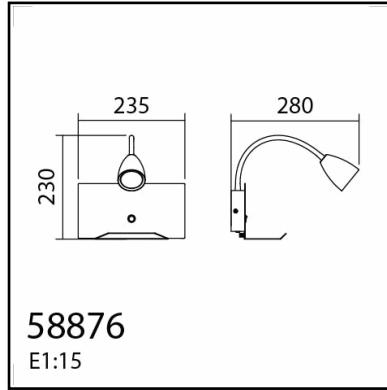
---



---



---



**TECHNICAL DATA**    588769101

| LAMP INFO      |                       |
|----------------|-----------------------|
| Description:   | WL TURA BK GU10 + USB |
| Mark:          | 10002    WL Wall Lamp |
| Reference:     | 588769101             |
| Range:         | 58876    TURA         |
| Code EAN:      | 8421797887698         |
| Measures (mm): | 0235-0280-0230        |
| Weight (kg):   | -                     |

|                    |                   |                   |          |           |               |
|--------------------|-------------------|-------------------|----------|-----------|---------------|
| Lampholder/Watts:  | GU10 LED max. 10W | CCT:              | -        | Switch:   | Rocker switch |
| Bulb included:     | No                | Lm:               | -        | USB_C:    | Yes           |
| Class:             | Class II          | Effi LS:          | -        | Shade:    | No            |
| IP:                | 20                | CRI:              | -        | Dimmable: | No            |
| Driver inc.:       | No                | Lamp Power:       | -        |           |               |
| Voltage/Frequence: | 230V - 50Hz       | Applied Standard: | CE / LVD |           |               |

| PACKAGING DETAILS  |                     |                      |            |
|--------------------|---------------------|----------------------|------------|
|                    | Individual Box      | Outer Box            | Master Box |
| Type:              | MDC - BROWN PRINTED | MDC - MARRON / BROWN |            |
| Units:             | 1.00                | 8.00                 | 0.00       |
| Measures:          | 0145-0065-0300      | 0320-0285-0310       | _____      |
| Gross Weight (kg): | -                   | -                    | -          |
| CTN 40':           | 15.846,00           |                      |            |

**OBSERVATIONS**

---



---



---



---



---