

TECHNICAL DATA 588755501

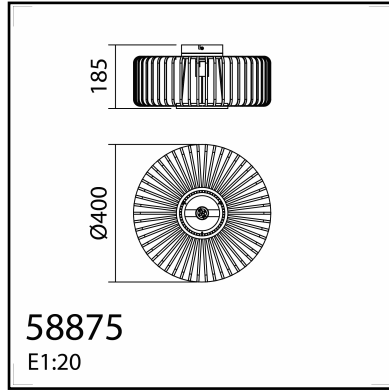
LAMP INFO	
Description:	CL VARILLA natural E27
Mark:	10001 CL Ceiling
Reference:	588755501
Range:	58875 VARILLA
Code EAN:	8421797887551
Measures (mm):	0400-0400-0185
Weight (kg):	-

Lampholder/Watts:	E27 LED max. 20W	CCT:	-	Switch:	No
Bulb included:	No	Lm:	-	USB_C:	No
Class:	Class I	Effi LS:	-	Shade:	No
IP:	20	CRI:	-	Dimmable:	No
Driver inc.:	No	Lamp Power:	-		
Voltage/Frequence:	230V - 50Hz	Applied Standard:	CE / LVD		

PACKAGING DETAILS

	Individual Box	Outer Box	Master Box
Type:	MDC - BROWN PRINTED	MDC - MARRON / BROWN	
Units:	1.00	3.00	0.00
Measures:	0415-0200-0415	0590-0425-0425	_____
Gross Weight (kg):	-	-	-
CTN 40':	1.576,00		

OBSERVATIONS



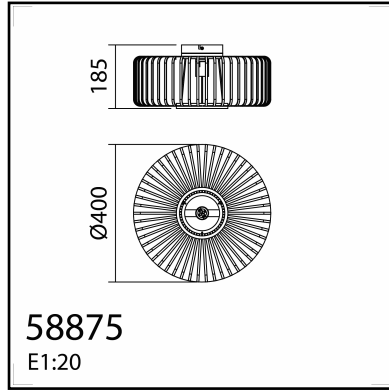
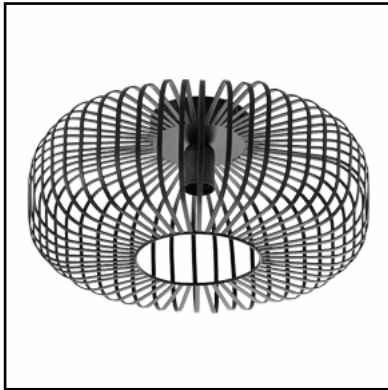
TECHNICAL DATA 588754401

LAMP INFO	
Description:	CL VARILLA oro negro E27
Mark:	10001 CL Ceiling
Reference:	588754401
Range:	58875 VARILLA
Code EAN:	8421797887544
Measures (mm):	0400-0400-0185
Weight (kg):	-

Lampholder/Watts:	E27 LED max. 20W	CCT:	-	Switch:	No
Bulb included:	No	Lm:	-	USB_C:	No
Class:	Class I	Effi LS:	-	Shade:	No
IP:	20	CRI:	-	Dimmable:	No
Driver inc.:	No	Lamp Power:	-		
Voltage/Frequence:	230V - 50Hz	Applied Standard:	CE / LVD		

PACKAGING DETAILS			
	Individual Box	Outer Box	Master Box
Type:	MDC - BROWN PRINTED	MDC - MARRON / BROWN	
Units:	1.00	3.00	0.00
Measures:	0415-0200-0415	0590-0425-0425	_____
Gross Weight (kg):	-	-	-
CTN 40°:	1.576,00		

OBSERVATIONS



TECHNICAL DATA 588759101

LAMP INFO	
Description:	CL VARILLA negro E27
Mark:	10001 CL Ceiling
Reference:	588759101
Range:	58875 VARILLA
Code EAN:	8421797887599
Measures (mm):	0400-0400-0185
Weight (kg):	-

Lampholder/Watts:	E27 LED max. 20W	CCT:	-	Switch:	No
Bulb included:	No	Lm:	-	USB_C:	No
Class:	Class I	Effi LS:	-	Shade:	No
IP:	20	CRI:	-	Dimmable:	No
Driver inc.:	No	Lamp Power:	-		
Voltage/Frequence:	230V - 50Hz	Applied Standard:	CE / LVD		

PACKAGING DETAILS			
	Individual Box	Outer Box	Master Box
Type:	MDC - BROWN PRINTED	MDC - MARRON / BROWN	
Units:	1.00	3.00	0.00
Measures:	0415-0200-0415	0590-0425-0425	_____
Gross Weight (kg):	-	-	-
CTN 40':	1.576,00		

OBSERVATIONS
