

58869
E1:35

TECHNICAL DATA 588698109

| LAMP INFO | |
|----------------|--|
| Description: | FAN LISBOA XS WH Ø915 DC 25W LED 45W CCT+ RC+DIM |
| Mark: | 40000 FAN w/Light |
| Reference: | 588698109 |
| Range: | 58868 LISBOA |
| Code EAN: | 8421797886981 |
| Measures (mm): | 0915-0915-0435 |
| Weight (kg): | 7.30 |

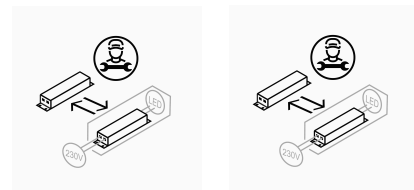
| | | | | | |
|--------------------|-------------|-------------------|-------------------------------|-----------|------------------------------------|
| Lampholder/Watts: | LED 45W | CCT: | 3 steps CCT 3000K-4000K-6000K | Switch: | Remote Control |
| Bulb included: | Yes - SMD | Lm: | 5000 | USB_C: | No |
| Class: | Class I | Effi LS: | E | Shade: | No |
| IP: | 20 | CRI: | 80,00 | Dimmable: | Progressive 0-100% dimmer included |
| Driver inc.: | Yes | Lamp Power: | 70,00W | | |
| Voltage/Frequence: | 230V - 50Hz | Applied Standard: | CE / LVD | | |

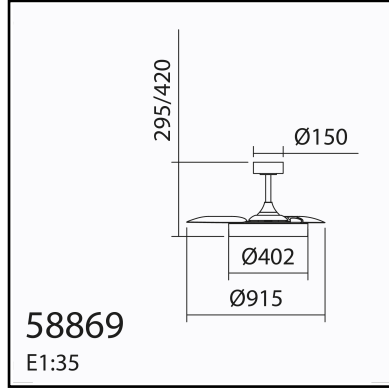
PACKAGING DETAILS

| | Individual Box | Outer Box | Master Box |
|--------------------|----------------|-----------|------------|
| Type: | COLOR BOX | | |
| Units: | 1.00 | 0.00 | 0.00 |
| Measures: | 0475-0475-0295 | | |
| Gross Weight (kg): | 9.00 | - | - |
| CTN 40': | 841,00 | | |

OBSERVATIONS

| |
|--|
| Modes: 4 / Speed (Rpm): 90 / 180 / 240 / 270 |
| Power (W): 5 / 10 / 20 / 25 |
| Airflow (m3/h): 2300 / 4500 / 6300 / 6700 |
| Room sizes: 8-15m2 / Number of blades: 3 |





58869
E1:35

TECHNICAL DATA 588698709

| LAMP INFO | |
|----------------|--|
| Description: | FAN LISBOA XS WH+WOO Ø915 DC 25W LED 45W CCT+DIM |
| Mark: | 40000 FAN w/Light |
| Reference: | 588698709 |
| Range: | 58868 LISBOA |
| Code EAN: | 8421797886974 |
| Measures (mm): | 0915-0915-0435 |
| Weight (kg): | 7.30 |

| | | | | | |
|--------------------|-------------|-------------------|-------------------------------|-----------|------------------------------------|
| Lampholder/Watts: | LED 45W | CCT: | 3 steps CCT 3000K-4000K-6000K | Switch: | Remote Control |
| Bulb included: | Yes - SMD | Lm: | 5000 | USB_C: | No |
| Class: | Class I | Effi LS: | E | Shade: | No |
| IP: | 20 | CRI: | 80,00 | Dimmable: | Progressive 0-100% dimmer included |
| Driver inc.: | Yes | Lamp Power: | 70,00W | | |
| Voltage/Frequence: | 230V - 50Hz | Applied Standard: | CE / LVD | | |

PACKAGING DETAILS

| | Individual Box | Outer Box | Master Box |
|--------------------|----------------|-----------|------------|
| Type: | COLOR BOX | | |
| Units: | 1.00 | 0.00 | 0.00 |
| Measures: | 0475-0475-0295 | _____ | _____ |
| Gross Weight (kg): | 9.00 | - | - |
| CTN 40': | 841,00 | | |

OBSERVATIONS

| |
|--|
| Modes: 4 / Speed (Rpm): 90 / 180 / 240 / 270 |
| Power (W): 5 / 10 / 20 / 25 |
| Airflow (m3/h): 2300 / 4500 / 6300 / 6700 |
| Room sizes: 8-15m2 / Number of blades: 3 |

