

**TECHNICAL DATA 588673509**

| LAMP INFO      |   |
|----------------|---|
| Description:   | FAN TURIN XS SN Ø915 DC 24W 4A LED 24W CCT+RC |
| Mark:          | 40000 FAN w/Light                             |
| Reference:     | 588673509                                     |
| Range:         | 58866 TURIN                                   |
| Code EAN:      | 8421797886738                                 |
| Measures (mm): | 0915-0915-0480                                |
| Weight (kg):   | 5.50  |

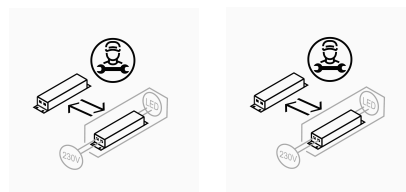
|                    |             |                   |                               |           |                |
|--------------------|-------------|-------------------|-------------------------------|-----------|----------------|
| Lampholder/Watts:  | LED 24W     | CCT:              | 3 steps CCT 3000K-4000K-6000K | Switch:   | Remote Control |
| Bulb included:     | Yes - SMD   | Lm:               | 2400                          | USB_C:    | No             |
| Class:             | Class I     | Effi LS:          | F                             | Shade:    | No             |
| IP:                | 20          | CRI:              | -                             | Dimmable: | No             |
| Driver inc.:       | Yes         | Lamp Power:       | 48,00W                        |           |                |
| Voltage/Frequence: | 230V - 50Hz | Applied Standard: | CE / LVD                      |           |                |

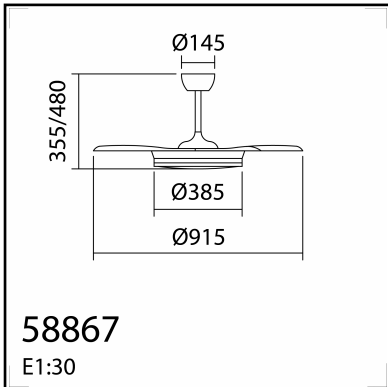
**PACKAGING DETAILS**

|                    | Individual Box | Outer Box | Master Box |
|--------------------|----------------|-----------|------------|
| Type:              | COLOR BOX      |           |            |
| Units:             | 1.00           | 0.00      | 0.00       |
| Measures:          | 0490-0490-0290 |           |            |
| Gross Weight (kg): | 7.00           | -         | -          |
| CTN 40':           | 804,00         |           |            |

**OBSERVATIONS**

|   |
|---|
| Modes: 6 / Speed (Rpm): 160 / 179 / 200 / 220 / 240 / 260 |
| Power (W): 5 / 6 / 9 / 12 / 18 / 24                       |
| Airflow (m3/h): 3772 / 4220 / 4715 / 5186 / 5658 / 6130   |
| Room sizes: 8-15m2 / Number of blades: 4                  |





**TECHNICAL DATA 588678109**

| LAMP INFO      |   |
|----------------|---|
| Description:   | FAN TURIN XS WH Ø915 DC 24W 4A LED 24W CCT+RC |
| Mark:          | 40000 FAN w/Light                             |
| Reference:     | 588678109                                     |
| Range:         | 58866 TURIN                                   |
| Code EAN:      | 8421797886783                                 |
| Measures (mm): | 0915-0915-0480                                |
| Weight (kg):   | 5.50  |

|                    |             |                   |                               |           |                |
|--------------------|-------------|-------------------|-------------------------------|-----------|----------------|
| Lampholder/Watts:  | LED 24W     | CCT:              | 3 steps CCT 3000K-4000K-6000K | Switch:   | Remote Control |
| Bulb included:     | Yes - SMD   | Lm:               | 2400                          | USB_C:    | No             |
| Class:             | Class I     | Effi LS:          | F                             | Shade:    | No             |
| IP:                | 20          | CRI:              | -                             | Dimmable: | No             |
| Driver inc.:       | Yes         | Lamp Power:       | 48,00W                        |           |                |
| Voltage/Frequence: | 230V - 50Hz | Applied Standard: | CE / LVD                      |           |                |

**PACKAGING DETAILS**

|                    | Individual Box | Outer Box | Master Box |
|--------------------|----------------|-----------|------------|
| Type:              | COLOR BOX      |           |            |
| Units:             | 1.00           | 0.00      | 0.00       |
| Measures:          | 0490-0490-0290 |           |            |
| Gross Weight (kg): | 7.00           | -         | -          |
| CTN 40':           | 804,00         |           |            |

**OBSERVATIONS**

|   |
|---|
| Modes: 6 / Speed (Rpm): 160 / 179 / 200 / 220 / 240 / 260 |
| Power (W): 5 / 6 / 9 / 12 / 18 / 24                       |
| Airflow (m3/h): 3772 / 4220 / 4715 / 5186 / 5658 / 6130   |
| Room sizes: 8-15m2 / Number of blades: 4                  |

