

TECHNICAL DATA 588548109

LAMP INFO	
Description:	FAN SYDNEY WH+wood Ø119 DC 24W 3A LED 24W CCT
Mark:	40000 FAN w/Light
Reference:	588548109
Range:	58854 SYDNEY
Code EAN:	8421797885465
Measures (mm):	1194-1194-0475
Weight (kg):	5.90

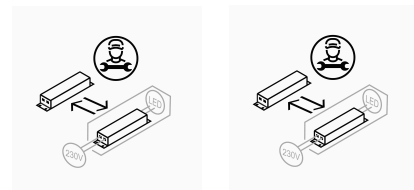
Lampholder/Watts:	LED 24W	CCT:	3 steps CCT 3000K-4000K-6000K	Switch:	Remote Control
Bulb included:	Yes - SMD	Lm:	2400	USB_C:	No
Class:	Class I	Effi LS:	E	Shade:	No
IP:	20	CRI:	80,00	Dimmable:	No
Driver inc.:	Yes	Lamp Power:	48,00W		
Voltage/Frequence:	230V - 50Hz	Applied Standard:	CE / LVD		

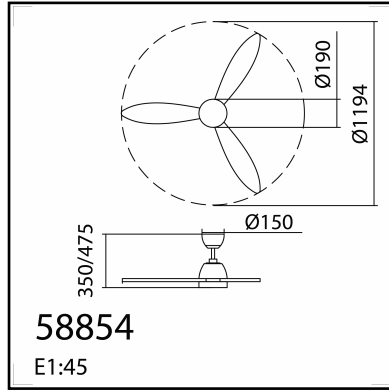
PACKAGING DETAILS

	Individual Box	Outer Box	Master Box
Type:	COLOR BOX		
Units:	1.00	0.00	0.00
Measures:	0640-0260-0335		
Gross Weight (kg):	7.44	-	-
CTN 40':	1.004,00		

OBSERVATIONS

Modes: 6 / Speed (Rpm): 165 / 182 / 197 / 211 / 240 / 252
Power (W): 8 / 10 / 12 / 14 / 17 / 24
Airflow (m3/h): 4528 / 5306 / 5943 / 6438 / 7039 / 7676
Room sizes: 15-30m2 / Number of blades: 3





TECHNICAL DATA 588548009

LAMP INFO	
Description:	FAN SYDNEY WH+WH Ø119 DC 24W 3A LED 24W CCT
Mark:	40000 FAN w/Light
Reference:	588548009
Range:	58854 SYDNEY
Code EAN:	8421797885403
Measures (mm):	1194-1194-0475
Weight (kg):	5.90

Lampholder/Watts:	LED 24W	CCT:	3 steps CCT 3000K-4000K-6000K	Switch:	Remote Control
Bulb included:	Yes - SMD	Lm:	2400	USB_C:	No
Class:	Class I	Effi LS:	E	Shade:	No
IP:	20	CRI:	80,00	Dimmable:	No
Driver inc.:	Yes	Lamp Power:	48,00W		
Voltage/Frequence:	230V - 50Hz	Applied Standard:	CE / LVD		

PACKAGING DETAILS

	Individual Box	Outer Box	Master Box
Type:	COLOR BOX		
Units:	1.00	0.00	0.00
Measures:	0640-0260-0335		
Gross Weight (kg):	7.44	-	-
CTN 40':	1.004,00		

OBSERVATIONS

Modes: 6 / Speed (Rpm): 165 / 182 / 197 / 211 / 240 / 252
Power (W): 8 / 10 / 12 / 14 / 17 / 24
Airflow (m3/h): 4528 / 5306 / 5943 / 6438 / 7039 / 7676
Room sizes: 15-30m2 / Number of blades: 3

