

TECHNICAL DATA 588468102

LAMP INFO	
Description:	TL CHIARA blanco 1W CCT + dim + BAT
Mark:	20001 TL Table Lamp
Reference:	588468102
Range:	58846 CHIARA
Code EAN:	8421797884680
Measures (mm):	0120-0120-0250
Weight (kg):	0.54

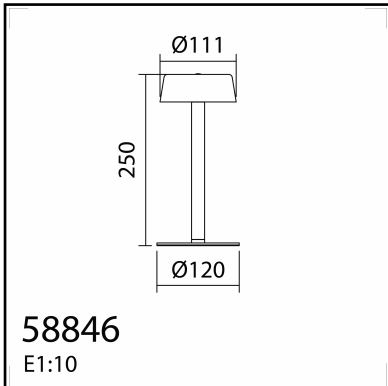
Lampholder/Watts:	LED 5W	CCT:	3 steps CCT 3000K-4000K-6000K	Switch:	Touch
Bulb included:	Yes - SMD	Lm:	250	USB_C:	Yes
Class:	Class III	Effi LS:	G	Shade:	No
IP:	20	CRI:	80,00	Dimmable:	Progressive 0-100% dimmer included
Driver inc.:	No	Lamp Power:	5,00W		
Voltage/Frequence:	DC 5V - 1A	Applied Standard:	CE / LVD		

PACKAGING DETAILS

	Individual Box	Outer Box	Master Box
Type:	MDC - BROWN PRINTED	MDC - MARRON / BROWN	
Units:	1.00	12.00	0.00
Measures:	0280-0140-0140	0580-0445-0300	
Gross Weight (kg):	0.63	7.50	-
CTN 40':	8.678,00		

OBSERVATIONS

Battery included, up to 20 hours of autonomy.



TECHNICAL DATA 588469102

LAMP INFO

Description:	TL CHIARA negro 1W CCT + dim + BAT
Mark:	20001 TL Table Lamp
Reference:	588469102
Range:	58846 CHIARA
Code EAN:	8421797884697
Measures (mm):	0120-0120-0250
Weight (kg):	0.54

Lampholder/Watts:	LED 5W	CCT:	3 steps CCT 3000K-4000K-6000K	Switch:	Touch
Bulb included:	Yes - SMD	Lm:	250	USB_C:	Yes
Class:	Class III	Effi LS:	G	Shade:	No
IP:	20	CRI:	80,00	Dimmable:	Progressive 0-100% dimmer included
Driver inc.:	No	Lamp Power:	5,00W		
Voltage/Frequence:	DC 5V - 1A	Applied Standard:	CE / LVD		

PACKAGING DETAILS

	Individual Box	Outer Box	Master Box
Type:	MDC - BROWN PRINTED	MDC - MARRON / BROWN	
Units:	1.00	12.00	0.00
Measures:	0280-0140-0140	0580-0445-0300	
Gross Weight (kg):	0.63	7.50	-
CTN 40':	8.678,00		

OBSERVATIONS

Battery included, up to 20 hours of autonomy.
