

**TECHNICAL DATA 588429102**

**LAMP INFO**

Description:	TL MASH negro 2W 3K IP44+bateria
Mark:	20001 TL Table Lamp
Reference:	588429102
Range:	58842 MASH
Code EAN:	8421797884291
Measures (mm):	0150-0150-0381
Weight (kg):	0.68

Lampholder/Watts:	LED 2W	CCT:	2700K	Switch:	Touch
Bulb included:	Yes - SMD	Lm:	170	USB_C:	Yes
Class:	Class III	Effi LS:	-	Shade:	Yes
IP:	44	CRI:	-	Dimmable:	Progressive 0-100% dimmer included
Driver inc.:	Yes	Lamp Power:	2,00W		
Voltage/Frequence:	DC 5V - 2A	Applied Standard:	CE / LVD		

**PACKAGING DETAILS**

	Individual Box	Outer Box	Master Box
Type:	MDC - BROWN PRINTED	MDC - MARRON / BROWN	
Units:	1.00	10.00	0.00
Measures:	0160-0160-0410	0835-0340-0435	
Gross Weight (kg):	1.20	10.40	-
CTN 40':	4.534,00		

**OBSERVATIONS**

---



---



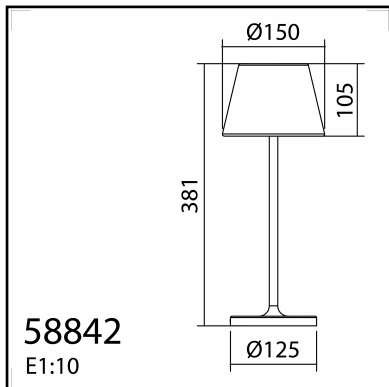
---



---



---



58842  
E1:10

**TECHNICAL DATA 588428102**

LAMP INFO	
Description:	TL MASH blanco 2W 3K IP44+bateria
Mark:	20001 TL Table Lamp
Reference:	588428102
Range:	58842 MASH
Code EAN:	8421797884284
Measures (mm):	0150-0150-0381
Weight (kg):	0.68

Lampholder/Watts:	LED 2W	CCT:	2700K	Switch:	Touch
Bulb included:	Yes - SMD	Lm:	170	USB_C:	Yes
Class:	Class III	Effi LS:	-	Shade:	Yes
IP:	44	CRI:	-	Dimmable:	Progressive 0-100% dimmer included
Driver inc.:	Yes	Lamp Power:	2,00W		
Voltage/Frequence:	DC 5V - 2A	Applied Standard:	CE / LVD		

**PACKAGING DETAILS**

	Individual Box	Outer Box	Master Box
Type:	MDC - BROWN PRINTED	MDC - MARRON / BROWN	
Units:	1.00	10.00	0.00
Measures:	0160-0160-0410	0835-0340-0435	
Gross Weight (kg):	1.20	10.40	-
CTN 40':	4.534,00		

**OBSERVATIONS**

---



---



---



---



---