

TECHNICAL DATA 580884302

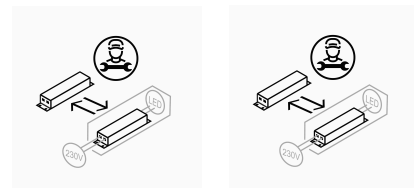
LAMP INFO	
Description:	FL VEGA S AB 40W 3000k
Mark:	20000 FL Floor Lamp
Reference:	580884302
Range:	58087 VEGA
Code EAN:	8421797808846
Measures (mm):	0300-0300-1800
Weight (kg):	6.35

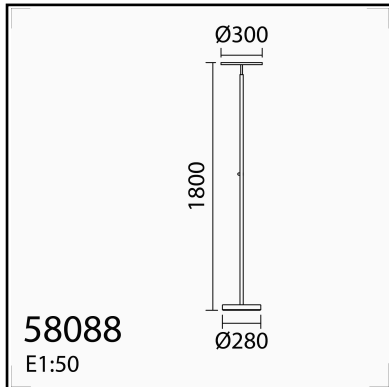
Lampholder/Watts:	LED - 40W	CCT:	3000K	Switch:	Rotatory
Bulb included:	Yes - SMD	Lm:	3800	USB_C:	No
Class:	Class III	Effi LS:	E	Shade:	No
IP:	20	CRI:	83,00	Dimmable:	Progressive 0-100% dimmer included
Driver inc.:	Yes	Lamp Power:	40,00W		
Voltage/Frequence:	DC 24V - 1,5A	Applied Standard:	CE / LVD		

PACKAGING DETAILS

	Individual Box	Outer Box	Master Box
Type:	MDC - BROWN PRINTED		
Units:	1.00	0.00	0.00
Measures:	0370-0100-1035	_____	_____
Gross Weight (kg):	-	-	-
CTN 40':	1.462,00		

OBSERVATIONS





58088
E1:50

TECHNICAL DATA 580889102

LAMP INFO

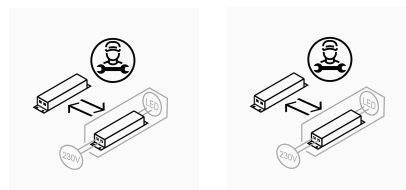
Description:	FL VEGA S BK 40W 3000k
Mark:	20000 FL Floor Lamp
Reference:	580889102
Range:	58087 VEGA
Code EAN:	8421797808891
Measures (mm):	0300-0300-1800
Weight (kg):	6.35

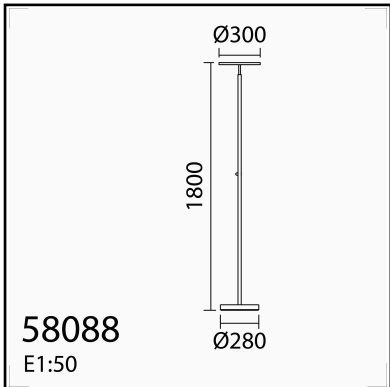
Lampholder/Watts:	LED - 40W	CCT:	3000K	Switch:	Rotatory
Bulb included:	Yes - SMD	Lm:	3800	USB_C:	No
Class:	Class III	Effi LS:	E	Shade:	No
IP:	20	CRI:	83,00	Dimmable:	Progressive 0-100% dimmer included
Driver inc.:	Yes	Lamp Power:	40,00W		
Voltage/Frequence:	DC 24V - 1,5A	Applied Standard:	CE / LVD		

PACKAGING DETAILS

	Individual Box	Outer Box	Master Box
Type:	MDC - BROWN PRINTED		
Units:	1.00	0.00	0.00
Measures:	0370-0100-1035		
Gross Weight (kg):	-	-	-
CTN 40':	1.462,00		

OBSERVATIONS





58088
E1:50

TECHNICAL DATA 580883502

LAMP INFO

Description:	FL VEGA S SN 40W 3000k
Mark:	20000 FL Floor Lamp
Reference:	580883502
Range:	58087 VEGA
Code EAN:	8421797808822
Measures (mm):	0300-0300-1800
Weight (kg):	6.35

Lampholder/Watts:	LED - 40W	CCT:	3000K	Switch:	Rotatory
Bulb included:	Yes - SMD	Lm:	3800	USB_C:	No
Class:	Class III	Effi LS:	E	Shade:	No
IP:	20	CRI:	83,00	Dimmable:	Progressive 0-100% dimmer included
Driver inc.:	Yes	Lamp Power:	40,00W		
Voltage/Frequence:	DC 24V - 1,5A	Applied Standard:	CE / LVD		

PACKAGING DETAILS

	Individual Box	Outer Box	Master Box
Type:	MDC - BROWN PRINTED		
Units:	1.00	0.00	0.00
Measures:	0370-0100-1035		
Gross Weight (kg):	-	-	-
CTN 40':	1.462,00		

OBSERVATIONS

