

**TECHNICAL DATA 580695501**

**LAMP INFO**

<b>Description:</b>	TL DELTA natural E27 cristal transparente
<b>Mark:</b>	20001 TL Table Lamp
<b>Reference:</b>	580695501
<b>Range:</b>	58069 DELTA
<b>Code EAN:</b>	8421797806958
<b>Measures (mm):</b>	0260-0260-0258
<b>Weight (kg):</b>	1.60

<b>Lampholder/Watts:</b>	E27 LED max.20W	<b>CCT:</b>	-	<b>Switch:</b>	Cord switch
<b>Bulb included:</b>	No	<b>Lm:</b>	-	<b>USB_C:</b>	No
<b>Class:</b>	Class II	<b>Effi LS:</b>	-	<b>Shade:</b>	No
<b>IP:</b>	20	<b>CRI:</b>	-	<b>Dimmable:</b>	No
<b>Driver inc.:</b>	No	<b>Lamp Power:</b>	-		
<b>Voltage/Frequence:</b>	230V - 50Hz	<b>Applied Standard:</b>	CE / LVD		

**PACKAGING DETAILS**

	Individual Box	Outer Box	Master Box
<b>Type:</b>	MDC - BROWN PRINTED		
<b>Units:</b>	1.00	0.00	0.00
<b>Measures:</b>	0430-0240-0325	_____	_____
<b>Gross Weight (kg):</b>	2.20	-	-
<b>CTN 40':</b>	1.669,00		

**OBSERVATIONS**

---



---



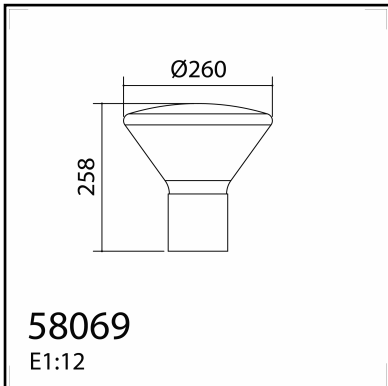
---



---



---



**TECHNICAL DATA 580696101**

**LAMP INFO**

<b>Description:</b>	TL DELTA laton mate E27 cristal transparente
<b>Mark:</b>	20001 TL Table Lamp
<b>Reference:</b>	580696101
<b>Range:</b>	58069 DELTA
<b>Code EAN:</b>	8421797806965
<b>Measures (mm):</b>	0260-0260-0258
<b>Weight (kg):</b>	1.60

<b>Lampholder/Watts:</b>	E27 LED max.20W	<b>CCT:</b>	-	<b>Switch:</b>	Cord switch
<b>Bulb included:</b>	No	<b>Lm:</b>	-	<b>USB_C:</b>	No
<b>Class:</b>	Class II	<b>Effi LS:</b>	-	<b>Shade:</b>	No
<b>IP:</b>	20	<b>CRI:</b>	-	<b>Dimmable:</b>	No
<b>Driver inc.:</b>	No	<b>Lamp Power:</b>	-		
<b>Voltage/Frequence:</b>	230V - 50Hz	<b>Applied Standard:</b>	CE / LVD		

**PACKAGING DETAILS**

	Individual Box	Outer Box	Master Box
<b>Type:</b>	MDC - BROWN PRINTED		
<b>Units:</b>	1.00	0.00	0.00
<b>Measures:</b>	0430-0240-0325	_____	_____
<b>Gross Weight (kg):</b>	2.20	-	-
<b>CTN 40':</b>	1.669,00		

**OBSERVATIONS**

---



---



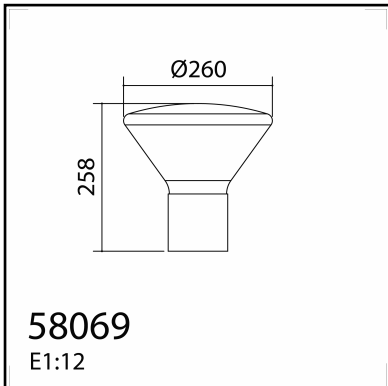
---



---



---



**TECHNICAL DATA 580699101**

**LAMP INFO**

<b>Description:</b>	TL DELTA negro mate E27 cristal transparente
<b>Mark:</b>	20001 TL Table Lamp
<b>Reference:</b>	580699101
<b>Range:</b>	58069 DELTA
<b>Code EAN:</b>	8421797806996
<b>Measures (mm):</b>	0260-0260-0258
<b>Weight (kg):</b>	1.60

<b>Lampholder/Watts:</b>	E27 LED max.20W	<b>CCT:</b>	-	<b>Switch:</b>	Cord switch
<b>Bulb included:</b>	No	<b>Lm:</b>	-	<b>USB_C:</b>	No
<b>Class:</b>	Class II	<b>Effi LS:</b>	-	<b>Shade:</b>	No
<b>IP:</b>	20	<b>CRI:</b>	-	<b>Dimmable:</b>	No
<b>Driver inc.:</b>	No	<b>Lamp Power:</b>	-		
<b>Voltage/Frequence:</b>	230V - 50Hz	<b>Applied Standard:</b>	CE / LVD		

**PACKAGING DETAILS**

	Individual Box	Outer Box	Master Box
<b>Type:</b>	MDC - BROWN PRINTED		
<b>Units:</b>	1.00	0.00	0.00
<b>Measures:</b>	0430-0240-0325	_____	_____
<b>Gross Weight (kg):</b>	2.20	-	-
<b>CTN 40':</b>	1.669,00		

**OBSERVATIONS**

---



---



---



---



---