

**58067**  
E1:20

**TECHNICAL DATA 580676103**

**LAMP INFO**

Description:	PL FLOC latón mate E27 cristal Opal IP44		
Mark:	10000	PD Pendant	
Reference:	580676103		
Range:	58066	FLOC	
Code EAN:	8421797806767		
Measures (mm):	0220-0220-1300		
Weight (kg):	1.20		

Lampholder/Watts:	E27 LED max.20W	CCT:	-	Switch:	No
Bulb included:	No	Lm:	-	USB_C:	No
Class:	Class II	Effi LS:	-	Shade:	No
IP:	44	CRI:	-	Dimmable:	No
Driver inc.:	No	Lamp Power:	-		
Voltage/Frequence:	230V - 50Hz	Applied Standard:	CE / LVD		

**PACKAGING DETAILS**

	Individual Box	Outer Box	Master Box
Type:	MDC - BROWN PRINTED	MDC - MARRON / BROWN	
Units:	1.00	4.00	0.00
Measures:	0255-0255-0425	0530-0530-0450	_____
Gross Weight (kg):	1.74	8.06	-
CTN 40':	1.772,00		

**OBSERVATIONS**

---



---



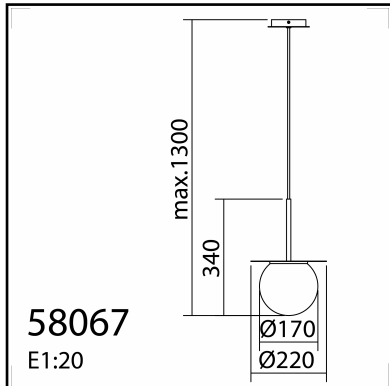
---



---



---



**TECHNICAL DATA 580679103**

**LAMP INFO**

Description:	PL FLOC negro mate E27 cristal Opal IP44		
Mark:	10000	PD Pendant	
Reference:	580679103		
Range:	58066	FLOC	
Code EAN:	8421797806798		
Measures (mm):	0220-0220-1300		
Weight (kg):	1.20		

Lampholder/Watts:	E27 LED max.20W	CCT:	-	Switch:	No
Bulb included:	No	Lm:	-	USB_C:	No
Class:	Class II	Effi LS:	-	Shade:	No
IP:	44	CRI:	-	Dimmable:	No
Driver inc.:	No	Lamp Power:	-		
Voltage/Frequence:	230V - 50Hz	Applied Standard:	CE / LVD		

**PACKAGING DETAILS**

	Individual Box	Outer Box	Master Box
Type:	MDC - BROWN PRINTED	MDC - MARRON / BROWN	
Units:	1.00	4.00	0.00
Measures:	0255-0255-0425	0530-0530-0450	_____
Gross Weight (kg):	1.74	8.06	-
CTN 40°:	1.772,00		

**OBSERVATIONS**

---



---



---



---



---