

**TECHNICAL DATA 580626201**

**LAMP INFO**

Description:	WL JULIETTE laton mate/ Negro 1xE27
Mark:	10002 WL Wall Lamp
Reference:	580626201
Range:	58060 JULIETTE
Code EAN:	8421797806262
Measures (mm):	0262-0120-0165
Weight (kg):	0.50

Lampholder/Watts:	E27 LED max.20W	CCT:	-	Switch:	No
Bulb included:	No	Lm:	-	USB_C:	No
Class:	Class II	Effi LS:	-	Shade:	No
IP:	20	CRI:	-	Dimmable:	No
Driver inc.:	No	Lamp Power:	-		
Voltage/Frequence:	230V - 50Hz	Applied Standard:	CE / LVD		

**PACKAGING DETAILS**

	Individual Box	Outer Box	Master Box
Type:	MDC - BROWN PRINTED	MDC - MARRON / BROWN	
Units:	1.00	4.00	0.00
Measures:	0300-0195-0150	0320-0320-0410	_____
Gross Weight (kg):	0.70	3.30	-
CTN 40':	5.335,00		

**OBSERVATIONS**

---



---



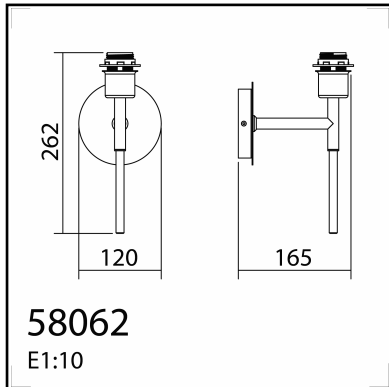
---



---



---



**TECHNICAL DATA 580623801**

LAMP INFO	
Description:	WL JULIETTE cromo mate/ Negro 1xE27
Mark:	10002 WL Wall Lamp
Reference:	580623801
Range:	58060 JULIETTE
Code EAN:	8421797806279
Measures (mm):	0262-0120-0165
Weight (kg):	0.50

Lampholder/Watts:	E27 LED max.20W	CCT:	-	Switch:	No
Bulb included:	No	Lm:	-	USB_C:	No
Class:	Class II	Effi LS:	-	Shade:	No
IP:	20	CRI:	-	Dimmable:	No
Driver inc.:	No	Lamp Power:	-		
Voltage/Frequence:	230V - 50Hz	Applied Standard:	CE / LVD		

**PACKAGING DETAILS**

	Individual Box	Outer Box	Master Box
Type:	MDC - BROWN PRINTED	MDC - MARRON / BROWN	
Units:	1.00	4.00	0.00
Measures:	0300-0195-0150	0320-0320-0410	_____
Gross Weight (kg):	0.70	3.30	-
CTN 40':	5.335,00		

**OBSERVATIONS**

---



---



---



---



---