

**TECHNICAL DATA 580553602**

LAMP INFO	
Description:	PL OSLO Niquel mate 32W cristal transp 3k
Mark:	10000 PD Pendant
Reference:	580553602
Range:	58050 OSLO
Code EAN:	8421797805524
Measures (mm):	1270-0130-2000
Weight (kg):	2.30

Lampholder/Watts:	LED 32W	CCT:	3000K	Switch:	No
Bulb included:	Yes - SMD	Lm:	3200	USB_C:	No
Class:	Class II	Effi LS:	F	Shade:	No
IP:	20	CRI:	80,00	Dimmable:	No
Driver inc.:	Yes	Lamp Power:	32,00W		
Voltage/Frequence:	230V - 50Hz	Applied Standard:	CE / LVD		

**PACKAGING DETAILS**

	Individual Box	Outer Box	Master Box
Type:	MDC - BROWN PRINTED		
Units:	1.00	1.00	0.00
Measures:	0230-0165-1325	_____	_____
Gross Weight (kg):	3.30	-	-
CTN 40':	1.113,00		

**OBSERVATIONS**

---



---



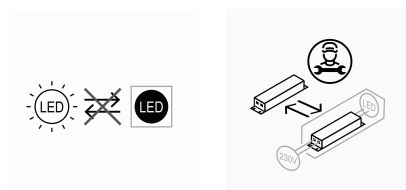
---

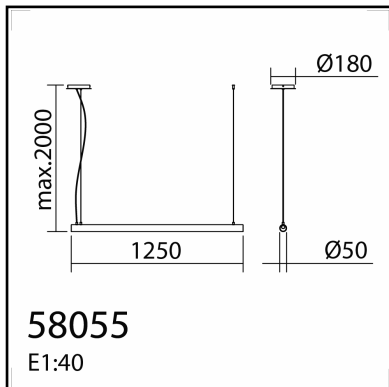


---



---





**TECHNICAL DATA 580556102**

LAMP INFO	
Description:	PL OSLO laton mate 32W cristal transp 3k
Mark:	10000 PD Pendant
Reference:	580556102
Range:	58050 OSLO
Code EAN:	8421797805562
Measures (mm):	1270-0130-2000
Weight (kg):	2.30

Lampholder/Watts:	LED 32W	CCT:	3000K	Switch:	No
Bulb included:	Yes - SMD	Lm:	3200	USB_C:	No
Class:	Class II	Effi LS:	F	Shade:	No
IP:	20	CRI:	80,00	Dimmable:	No
Driver inc.:	Yes	Lamp Power:	32,00W		
Voltage/Frequence:	230V - 50Hz	Applied Standard:	CE / LVD		

**PACKAGING DETAILS**

	Individual Box	Outer Box	Master Box
Type:	MDC - BROWN PRINTED		
Units:	1.00	0.00	0.00
Measures:	0230-0165-1325	_____	_____
Gross Weight (kg):	3.30	-	-
CTN 40':	1.113,00		

**OBSERVATIONS**

---



---



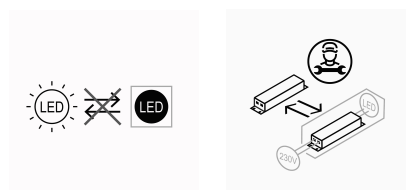
---

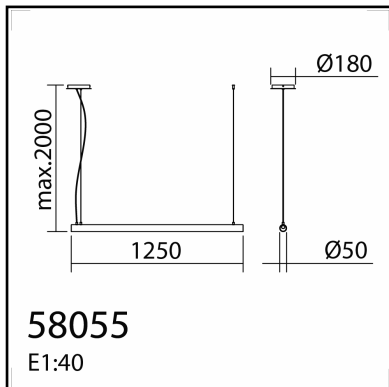
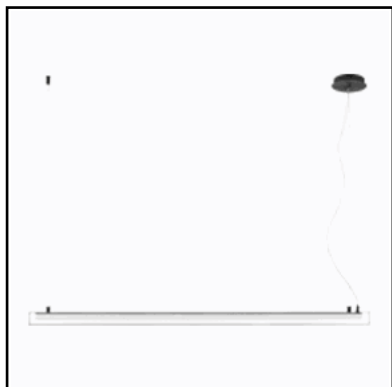


---



---





**TECHNICAL DATA 580559102**

LAMP INFO	
Description:	PL OSLO negro mate 32W cristal transp 3k
Mark:	10000 PD Pendant
Reference:	580559102
Range:	58050 OSLO
Code EAN:	8421797805593
Measures (mm):	1270-0130-2000
Weight (kg):	2.30

Lampholder/Watts:	LED 32W	CCT:	3000K	Switch:	No
Bulb included:	Yes - SMD	Lm:	3200	USB_C:	No
Class:	Class II	Effi LS:	F	Shade:	No
IP:	20	CRI:	80,00	Dimmable:	No
Driver inc.:	Yes	Lamp Power:	32,00W		
Voltage/Frequence:	230V - 50Hz	Applied Standard:	CE / LVD		

**PACKAGING DETAILS**

	Individual Box	Outer Box	Master Box
Type:	MDC - BROWN PRINTED		
Units:	1.00	0.00	0.00
Measures:	0230-0165-1325	_____	_____
Gross Weight (kg):	3.30	-	-
CTN 40':	1.113,00		

**OBSERVATIONS**

---



---



---



---



---

