

TECHNICAL DATA 580385902

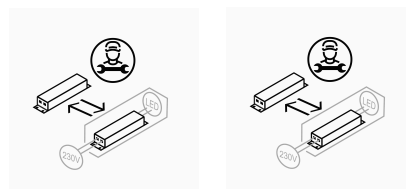
LAMP INFO	
Description:	APLIQUE SUN laton mate 8W
Mark:	10002 WL Wall Lamp
Reference:	580385902
Range:	58038 SUN
Code EAN:	8421797803858
Measures (mm):	0120-0120-0075
Weight (kg):	0.50

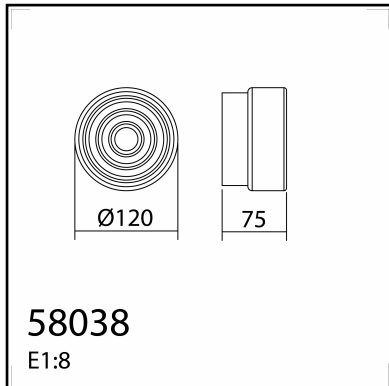
Lampholder/Watts:	LED 8W	CCT:	3000K	Switch:	No
Bulb included:	Yes - SMD	Lm:	800	USB_C:	No
Class:	Class II	Effi LS:	E	Shade:	No
IP:	20	CRI:	80,00	Dimmable:	No
Driver inc.:	No	Lamp Power:	8,00W		
Voltage/Frequence:	230V - 50Hz	Applied Standard:	CE / LVD		

PACKAGING DETAILS

	Individual Box	Outer Box	Master Box
Type:	MDC - BROWN PRINTED	MDC - MARRON / BROWN	
Units:	1.00	12.00	0.00
Measures:	0170-0170-0155	0360-0360-0490	
Gross Weight (kg):	0.68	8.10	
CTN 40':	10.582,00		

OBSERVATIONS





TECHNICAL DATA 580389102

LAMP INFO	
Description:	APLIQUE SUN negro mate 8W
Mark:	10002 WL Wall Lamp
Reference:	580389102
Range:	58038 SUN
Code EAN:	8421797803896
Measures (mm):	0120-0120-0075
Weight (kg):	0.50

Lampholder/Watts:	LED 8W	CCT:	3000K	Switch:	No
Bulb included:	Yes - SMD	Lm:	800	USB_C:	No
Class:	Class II	Effi LS:	E	Shade:	No
IP:	20	CRI:	83,00	Dimmable:	No
Driver inc.:	No	Lamp Power:	8,00W		
Voltage/Frequence:	230V - 50Hz	Applied Standard:	CE / LVD		

PACKAGING DETAILS

	Individual Box	Outer Box	Master Box
Type:	MDC - BROWN PRINTED	MDC - MARRON / BROWN	
Units:	1.00	12.00	0.00
Measures:	0170-0170-0155	0360-0360-0490	_____
Gross Weight (kg):	0.68	8.10	-
CTN 40':	10.582,00		

OBSERVATIONS

