

**TECHNICAL DATA 580316101**

LAMP INFO	
Description:	TL PUNT latón mate 1xE27 touch
Mark:	20001 TL Table Lamp
Reference:	580316101
Range:	58031 PUNT
Code EAN:	8421797803162
Measures (mm):	0170-0145-0175
Weight (kg):	0.42

Lampholder/Watts:	E27 LED max.20W	CCT:	-	Switch:	Touch
Bulb included:	No	Lm:	-	USB_C:	No
Class:	Class II	Effi LS:	-	Shade:	No
IP:	20	CRI:	-	Dimmable:	No
Driver inc.:	No	Lamp Power:	-		
Voltage/Frequence:	230V - 50Hz	Applied Standard:	CE / LVD		

PACKAGING DETAILS			
	Individual Box	Outer Box	Master Box
Type:	MDC - BROWN PRINTED	MDC - MARRON / BROWN	
Units:	1.00	8.00	0.00
Measures:	0185-0170-0220	0390-0360-0460	_____
Gross Weight (kg):	0.68	5.63	-
CTN 40':	6.936,00		

**OBSERVATIONS**

---



---



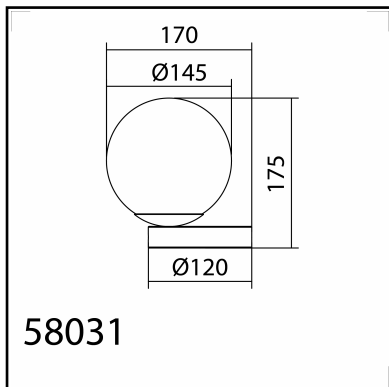
---



---



---



**TECHNICAL DATA 580313501**

LAMP INFO	
Description:	TL PUNT cromo mate 1xE27 touch
Mark:	20001 TL Table Lamp
Reference:	580313501
Range:	58031 PUNT
Code EAN:	8421797803131
Measures (mm):	0170-0145-0175
Weight (kg):	0.42

Lampholder/Watts:	E27 LED max.20W	CCT:	-	Switch:	Touch
Bulb included:	No	Lm:	-	USB_C:	No
Class:	Class II	Effi LS:	-	Shade:	No
IP:	20	CRI:	-	Dimmable:	No
Driver inc.:	No	Lamp Power:	-		
Voltage/Frequence:	230V - 50Hz	Applied Standard:	CE / LVD		

PACKAGING DETAILS			
	Individual Box	Outer Box	Master Box
Type:	MDC - BROWN PRINTED	MDC - MARRON / BROWN	
Units:	1.00	8.00	0.00
Measures:	0185-0170-0220	0390-0360-0460	_____
Gross Weight (kg):	0.68	5.63	-
CTN 40':	6.936,00		

**OBSERVATIONS**

---



---



---



---



---