

**TECHNICAL DATA Nº** 3.277 -580003602

**LAMP INFO**

<b>Description:</b>	FL ONE Niquel mate LED 30W + 10W 3000K Clear Glass		
<b>Mark:</b>	20000 FL Floor Lamp		
<b>Reference:</b>	580003602		
<b>Provisional Ref.:</b>			
<b>Range:</b>	58000 ONE		
<b>Code EAN:</b>	8421797800031		
<b>Measures (mm):</b>	1874-0270-0526	<b>Weight (kg):</b>	8.40

<b>Lampholder/Watts:</b>	LED 30W + 10W	<b>CCT:</b>	3000K	<b>Switch:</b>	Push-button
<b>Bulb included:</b>	Yes - SMD + COB	<b>Lm:</b>	2991.97	<b>Dimmer:</b>	Yes
<b>Class:</b>	III	<b>Efi:</b>	A+.,A	<b>Shade:</b>	No
<b>IP:</b>	20	<b>Ra:</b>	83.4	<b>Shrink wrap:</b>	No
<b>Transformer:</b>	Yes	<b>McAdam:</b>	1.4	<b>Applied Standard:</b>	CE / LVD
<b>Voltage/Frequency:</b>	DC 24V - 1,5A	<b>Power:</b>	46.6W	<b>Bulk:</b>	No

**PACKAGING DETAILS**

	Individual Box	Outer Box	Master Box
<b>Type:</b>	MDC-MARRON / BROWN		
<b>Units:</b>	1.00	0.00	0.00
<b>Measures:</b>	1145-0380-0345	_____	_____
<b>Gross Weight (kg):</b>	10.50	-	-
<b>CTN 40':</b>	373,00		

**OBSERVATIONS**

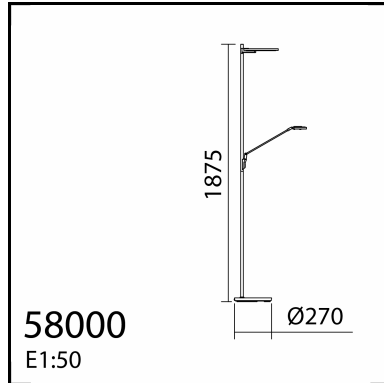
---

---

---

---

---



**TECHNICAL DATA Nº** 3.278 -580003102

**LAMP INFO**

<b>Description:</b>	FL ONE cro bril+neg te LED 30W+10W 3K Smoke Glass		
<b>Mark:</b>	20000 FL Floor Lamp		
<b>Reference:</b>	580003102		
<b>Provisional Ref.:</b>			
<b>Range:</b>	58000 ONE		
<b>Code EAN:</b>	8421797800048		
<b>Measures (mm):</b>	1874-0270-0526	<b>Weight (kg):</b>	8.40

<b>Lampholder/Watts:</b>	LED 30W + 10W	<b>CCT:</b>	3000K	<b>Switch:</b>	Push-button
<b>Bulb included:</b>	Yes - SMD + COB	<b>Lm:</b>	2991.97	<b>Dimmer:</b>	Yes
<b>Class:</b>	III	<b>Efi:</b>	A+,.A	<b>Shade:</b>	No
<b>IP:</b>	20	<b>Ra:</b>	83.4	<b>Shrink wrap:</b>	No
<b>Transformer:</b>	Yes	<b>McAdam:</b>	1.4	<b>Applied Standard:</b>	CE / LVD
<b>Voltage/Frequency:</b>	DC 24V - 1,5A	<b>Power:</b>	46.6W	<b>Bulk:</b>	No

**PACKAGING DETAILS**

	Individual Box	Outer Box	Master Box
<b>Type:</b>	MDC-MARRON / BROWN		
<b>Units:</b>	1.00	0.00	0.00
<b>Measures:</b>	1145-0380-0345	_____	_____
<b>Gross Weight (kg):</b>	10.50	-	-
<b>CTN 40':</b>	373,00		

**OBSERVATIONS**

---

---

---

---

---