

TECHNICAL DATA 579923502

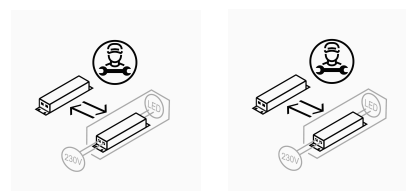
LAMP INFO	
Description:	FL DAPHNE S cromo mate LED 33W CCT
Mark:	20000 FL Floor Lamp
Reference:	579923502
Range:	57991 DAPHNE
Code EAN:	8421797799236
Measures (mm):	1800-0275-0275
Weight (kg):	5.62

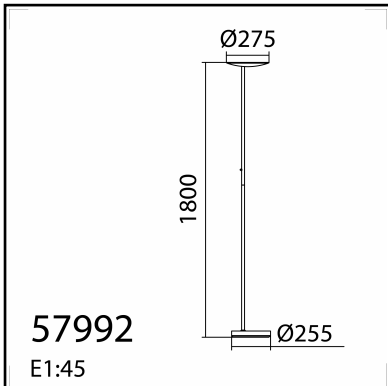
Lampholder/Watts:	LED 33W	CCT:	Progressive CCT 2700K-4000K	Switch:	Push-button
Bulb included:	Yes - SMD	Lm:	3300	USB_C:	No
Class:	Class III	Effi LS:	D	Shade:	No
IP:	20	CRI:	80,00	Dimmable:	Progressive 0-100% dimmer included
Driver inc.:	Yes	Lamp Power:	33,00W		
Voltage/Frequence:	DC 24V - 1,5A	Applied Standard:	CE / LVD		

PACKAGING DETAILS

	Individual Box	Outer Box	Master Box
Type:	MDC - BROWN PRINTED		
Units:	1.00	0.00	0.00
Measures:	0310-0115-1015	_____	_____
Gross Weight (kg):	7.46	-	-
CTN 40':	1.547,00		

OBSERVATIONS





TECHNICAL DATA 579924302

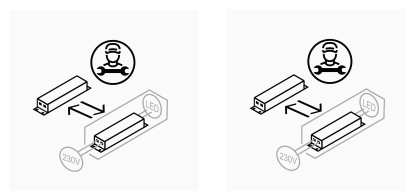
LAMP INFO	
Description:	FL DAPHNE S medalla LED 33W CCT
Mark:	20000 FL Floor Lamp
Reference:	579924302
Range:	57991 DAPHNE
Code EAN:	8421797799243
Measures (mm):	1800-0275-0275
Weight (kg):	5.62

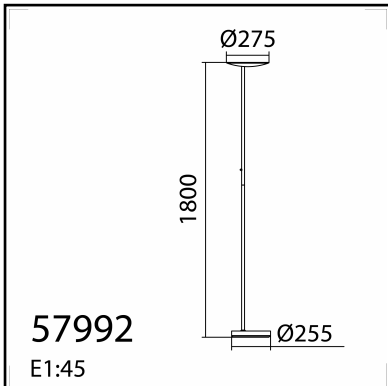
Lampholder/Watts:	LED 33W	CCT:	Progressive CCT 2700K-4000K	Switch:	Push-button
Bulb included:	Yes - SMD	Lm:	3300	USB_C:	No
Class:	Class III	Effi LS:	D	Shade:	No
IP:	20	CRI:	80,00	Dimmable:	Progressive 0-100% dimmer included
Driver inc.:	Yes	Lamp Power:	33,00W		
Voltage/Frequence:	DC 24V - 1,5A	Applied Standard:	CE / LVD		

PACKAGING DETAILS

	Individual Box	Outer Box	Master Box
Type:	MDC - BROWN PRINTED		
Units:	1.00	0.00	0.00
Measures:	0310-0115-1015	_____	_____
Gross Weight (kg):	7.46	-	-
CTN 40':	1.547,00		

OBSERVATIONS





TECHNICAL DATA 579929102

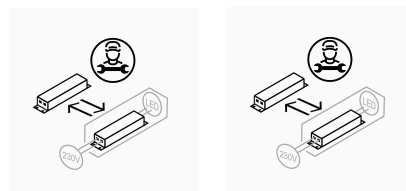
LAMP INFO	
Description:	FL DAPHNE S negro LED 33W CCT
Mark:	20000 FL Floor Lamp
Reference:	579929102
Range:	57991 DAPHNE
Code EAN:	8421797799298
Measures (mm):	1800-0275-0275
Weight (kg):	5.62

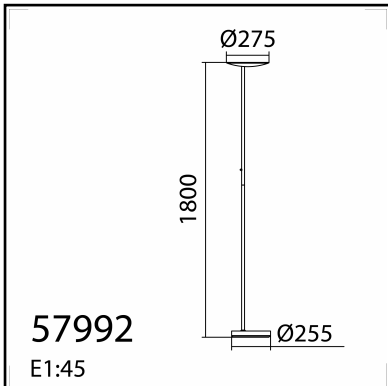
Lampholder/Watts:	LED 33W	CCT:	Progressive CCT 2700K-4000K	Switch:	Push-button
Bulb included:	Yes - SMD	Lm:	3300	USB_C:	No
Class:	Class III	Effi LS:	D	Shade:	No
IP:	20	CRI:	80,00	Dimmable:	Progressive 0-100% dimmer included
Driver inc.:	Yes	Lamp Power:	33,00W		
Voltage/Frequence:	DC 24V - 1,5A	Applied Standard:	CE / LVD		

PACKAGING DETAILS

	Individual Box	Outer Box	Master Box
Type:	MDC - BROWN PRINTED		
Units:	1.00	0.00	0.00
Measures:	0310-0115-1015	_____	_____
Gross Weight (kg):	7.46	-	-
CTN 40':	1.547,00		

OBSERVATIONS





TECHNICAL DATA 579928102

LAMP INFO	
Description:	FL DAPHNE S blanco LED 33W CCT
Mark:	20000 FL Floor Lamp
Reference:	579928102
Range:	57991 DAPHNE
Code EAN:	8421797799274
Measures (mm):	1800-0275-0275
Weight (kg):	5.62

Lampholder/Watts:	LED 33W	CCT:	Progressive CCT 2700K-4000K	Switch:	Push-button
Bulb included:	Yes - SMD	Lm:	3300	USB_C:	No
Class:	Class III	Effi LS:	D	Shade:	No
IP:	20	CRI:	80,00	Dimmable:	Progressive 0-100% dimmer included
Driver inc.:	Yes	Lamp Power:	33,00W		
Voltage/Frequence:	DC 24V - 1,5A	Applied Standard:	CE / LVD		

PACKAGING DETAILS

	Individual Box	Outer Box	Master Box
Type:	MDC - BROWN PRINTED		
Units:	1.00	0.00	0.00
Measures:	0310-0115-1015	_____	_____
Gross Weight (kg):	7.46	-	-
CTN 40':	1.547,00		

OBSERVATIONS

