

**TECHNICAL DATA 579904306**

LAMP INFO	
Description:	PL MEL XL ambar + medalla Ø40cm 1xE27
Mark:	10000 PD Pendant
Reference:	579904306
Range:	57989 MEL
Code EAN:	8421797799045
Measures (mm):	1200-0400-0400
Weight (kg):	2.10

Lampholder/Watts:	E27 LED max.20W	CCT:	-	Switch:	No
Bulb included:	No	Lm:	-	USB_C:	No
Class:	Class I	Effi LS:	-	Shade:	No
IP:	20	CRI:	-	Dimmable:	No
Driver inc.:	No	Lamp Power:	-		
Voltage/Frequence:	230V - 50Hz	Applied Standard:	CE / LVD		

**PACKAGING DETAILS**

	Individual Box	Outer Box	Master Box
Type:	MDC - BROWN PRINTED		
Units:	1.00	0.00	0.00
Measures:	0380-0460-0470	_____	_____
Gross Weight (kg):	2.50	-	-
CTN 40':	681,00		

**OBSERVATIONS**

---



---



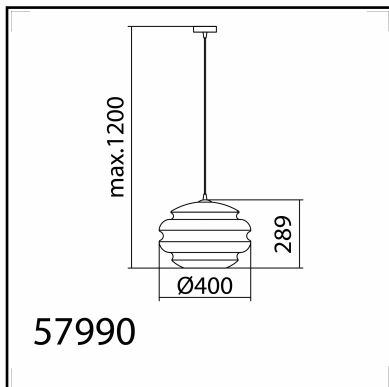
---



---



---



**TECHNICAL DATA 579903505**

LAMP INFO	
Description:	PL MEL XL transparente + cromo mate Ø40cm 1xE27
Mark:	10000 PD Pendant
Reference:	579903505
Range:	57989 MEL
Code EAN:	8421797799038
Measures (mm):	1200-0400-0400
Weight (kg):	2.10

Lampholder/Watts:	E27 LED max.20W	CCT:	-	Switch:	No
Bulb included:	No	Lm:	-	USB_C:	No
Class:	Class I	Effi LS:	-	Shade:	No
IP:	20	CRI:	-	Dimmable:	No
Driver inc.:	No	Lamp Power:	-		
Voltage/Frequence:	230V - 50Hz	Applied Standard:	CE / LVD		

PACKAGING DETAILS			
	Individual Box	Outer Box	Master Box
Type:	MDC - BROWN PRINTED		
Units:	1.00	0.00	0.00
Measures:	0380-0460-0470	_____	_____
Gross Weight (kg):	2.50	-	-
CTN 40':	681,00		

**OBSERVATIONS**

---



---



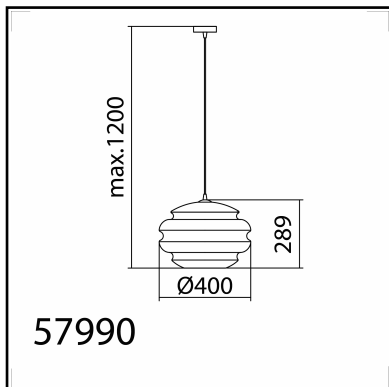
---



---



---



**TECHNICAL DATA 579909006**

LAMP INFO	
Description:	PL MEL XL azul + negro Ø40cm 1xE27
Mark:	10000 PD Pendant
Reference:	579909006
Range:	57989 MEL
Code EAN:	8421797799090
Measures (mm):	1200-0400-0400
Weight (kg):	2.10

Lampholder/Watts:	E27 LED max.20W	CCT:	-	Switch:	No
Bulb included:	No	Lm:	-	USB_C:	No
Class:	Class I	Effi LS:	-	Shade:	No
IP:	20	CRI:	-	Dimmable:	No
Driver inc.:	No	Lamp Power:	-		
Voltage/Frequence:	230V - 50Hz	Applied Standard:	CE / LVD		

**PACKAGING DETAILS**

	Individual Box	Outer Box	Master Box
Type:	MDC - BROWN PRINTED		
Units:	1.00	0.00	0.00
Measures:	0380-0460-0470	_____	_____
Gross Weight (kg):	2.50	-	-
CTN 40':	681,00		

**OBSERVATIONS**

---



---



---



---



---