

**TECHNICAL DATA 579894306**

**LAMP INFO**

Description:	PL MEL ambar + medalla Ø30cm 1xE27		
Mark:	10000	PD Pendant	
Reference:	579894306		
Range:	57989	MEL	
Code EAN:	8421797798949		
Measures (mm):	1200-0300-0300		
Weight (kg):	2.00		

Lampholder/Watts:	E27 LED max.20W	CCT:	-	Switch:	No
Bulb included:	No	Lm:	-	USB_C:	No
Class:	Class I	Effi LS:	-	Shade:	No
IP:	20	CRI:	-	Dimmable:	No
Driver inc.:	No	Lamp Power:	-		
Voltage/Frequence:	230V - 50Hz	Applied Standard:	CE / LVD		

**PACKAGING DETAILS**

	Individual Box	Outer Box	Master Box
Type:	MDC - BROWN PRINTED		
Units:	1.00	0.00	0.00
Measures:	0360-0310-0360	_____	_____
Gross Weight (kg):	2.40	-	-
CTN 40':	1.393,00		

**OBSERVATIONS**

---



---



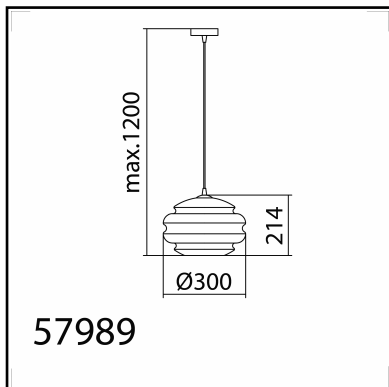
---



---



---



**TECHNICAL DATA 579893505**

LAMP INFO	
Description:	PL MEL transparente + cromo mate Ø30cm 1xE27
Mark:	10000 PD Pendant
Reference:	579893505
Range:	57989 MEL
Code EAN:	8421797798932
Measures (mm):	1200-0300-0300
Weight (kg):	2.00

Lampholder/Watts:	E27 LED max.20W	CCT:	-	Switch:	No
Bulb included:	No	Lm:	-	USB_C:	No
Class:	Class I	Effi LS:	-	Shade:	No
IP:	20	CRI:	-	Dimmable:	No
Driver inc.:	No	Lamp Power:	-		
Voltage/Frequence:	230V - 50Hz	Applied Standard:	CE / LVD		

PACKAGING DETAILS			
	Individual Box	Outer Box	Master Box
Type:	MDC - BROWN PRINTED		
Units:	1.00	0.00	0.00
Measures:	0360-0310-0360	_____	_____
Gross Weight (kg):	2.40	-	-
CTN 40':	1.393,00		

**OBSERVATIONS**

---



---



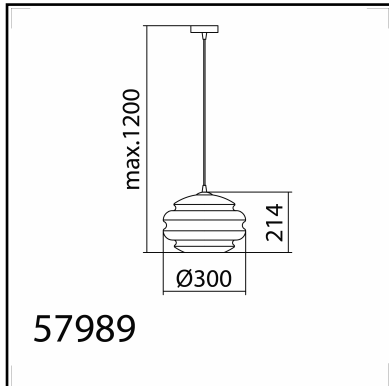
---



---



---



**TECHNICAL DATA 579899006**

**LAMP INFO**

Description:	PL MEL azul + negro Ø30cm 1xE27		
Mark:	10000	PD Pendant	
Reference:	579899006		
Range:	57989	MEL	
Code EAN:	8421797798994		
Measures (mm):	1200-0300-0300		
Weight (kg):	2.00		

Lampholder/Watts:	E27 LED max.20W	CCT:	-	Switch:	No
Bulb included:	No	Lm:	-	USB_C:	No
Class:	Class I	Effi LS:	-	Shade:	No
IP:	20	CRI:	-	Dimmable:	No
Driver inc.:	No	Lamp Power:	-		
Voltage/Frequence:	230V - 50Hz	Applied Standard:	CE / LVD		

**PACKAGING DETAILS**

	Individual Box	Outer Box	Master Box
Type:	MDC - BROWN PRINTED		
Units:	1.00	0.00	0.00
Measures:	0360-0310-0360	_____	_____
Gross Weight (kg):	2.40	-	-
CTN 40':	1.393,00		

**OBSERVATIONS**

---



---



---



---



---