

**TECHNICAL DATA 579868301**

LAMP INFO	
Description:	PL RITA blanco + cromo mate Ø210 1xE27
Mark:	10000 PD Pendant
Reference:	579868301
Range:	57986 RITA
Code EAN:	8421797798680
Measures (mm):	1430-0210-0210
Weight (kg):	0.62

Lampholder/Watts:	E27 LED max.20W	CCT:	-	Switch:	No
Bulb included:	No	Lm:	-	USB_C:	No
Class:	Class I	Effi LS:	-	Shade:	No
IP:	20	CRI:	-	Dimmable:	No
Driver inc.:	No	Lamp Power:	-		
Voltage/Frequence:	230V - 50Hz	Applied Standard:	CE / LVD		

**PACKAGING DETAILS**

	Individual Box	Outer Box	Master Box
Type:	MDC - BROWN PRINTED	MDC - MARRON / BROWN	
Units:	1.00	12.00	0.00
Measures:	0215-0215-0210	0450-0450-0635	
Gross Weight (kg):	0.84	10.90	-
CTN 40':	5.226,00		

**OBSERVATIONS**

---



---



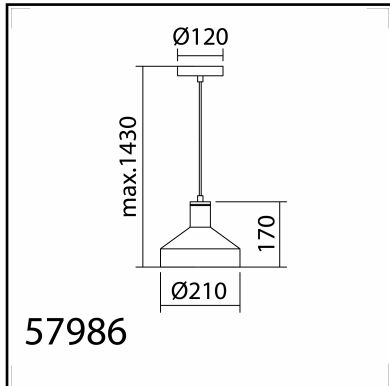
---



---



---



**TECHNICAL DATA 579863201**

LAMP INFO	
Description:	PL RITA gris + medalla Ø210 1xE27
Mark:	10000 PD Pendant
Reference:	579863201
Range:	57986 RITA
Code EAN:	8421797798635
Measures (mm):	1430-0210-0210
Weight (kg):	0.62

Lampholder/Watts:	E27 LED max.20W	CCT:	-	Switch:	No
Bulb included:	No	Lm:	-	USB_C:	No
Class:	Class I	Effi LS:	-	Shade:	No
IP:	20	CRI:	-	Dimmable:	No
Driver inc.:	No	Lamp Power:	-		
Voltage/Frequence:	230V - 50Hz	Applied Standard:	CE / LVD		

**PACKAGING DETAILS**

	Individual Box	Outer Box	Master Box
Type:	MDC - BROWN PRINTED	MDC - MARRON / BROWN	
Units:	1.00	12.00	0.00
Measures:	0215-0215-0210	0450-0450-0635	_____
Gross Weight (kg):	0.84	10.90	-
CTN 40°:	5.226,00		

**OBSERVATIONS**

---



---



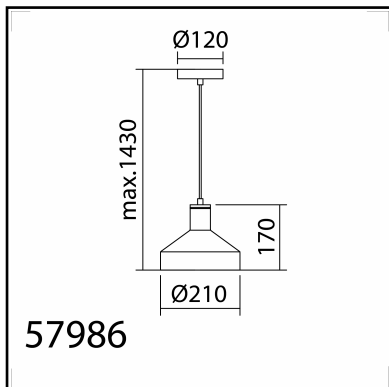
---



---



---



**TECHNICAL DATA 579869201**

LAMP INFO	
Description:	PL RITA negro + medalla Ø210 1xE27
Mark:	10000 PD Pendant
Reference:	579869201
Range:	57986 RITA
Code EAN:	8421797798697
Measures (mm):	1430-0210-0210
Weight (kg):	0.62

Lampholder/Watts:	E27 LED max.20W	CCT:	-	Switch:	No
Bulb included:	No	Lm:	-	USB_C:	No
Class:	Class I	Effi LS:	-	Shade:	No
IP:	20	CRI:	-	Dimmable:	No
Driver inc.:	No	Lamp Power:	-		
Voltage/Frequence:	230V - 50Hz	Applied Standard:	CE / LVD		

**PACKAGING DETAILS**

	Individual Box	Outer Box	Master Box
Type:	MDC - BROWN PRINTED	MDC - MARRON / BROWN	
Units:	1.00	12.00	0.00
Measures:	0215-0215-0210	0450-0450-0635	_____
Gross Weight (kg):	0.84	10.90	-
CTN 40':	5.226,00		

**OBSERVATIONS**

---



---



---



---



---