

TECHNICAL DATA 579836101

LAMP INFO

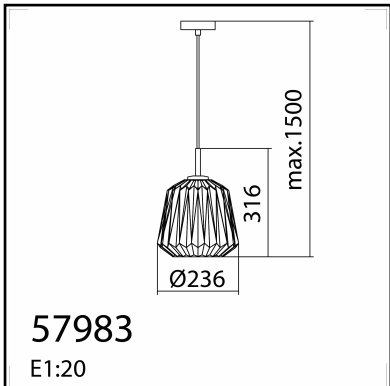
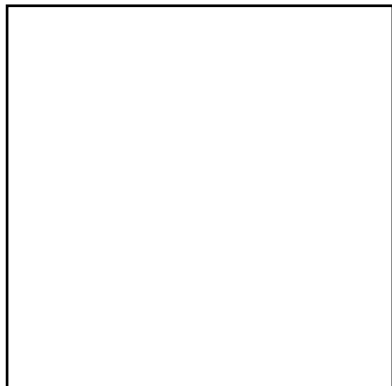
Description:	SUSPENSIÓN TANIA latón mate Ø235 1xE27
Mark:	10000 PD Pendant
Reference:	579836101
Range:	57982 TAMIS
Code EAN:	8421797798369
Measures (mm):	0236-0236-1500
Weight (kg):	1.50

Lampholder/Watts:	E27 LED max.20W	CCT:	-	Switch:	No
Bulb included:	No	Lm:	-	USB_C:	No
Class:	Class II	Effi LS:	-	Shade:	No
IP:	20	CRI:	-	Dimmable:	No
Driver inc.:	No	Lamp Power:	-		
Voltage/Frequence:	230V - 50Hz	Applied Standard:	CE / LVD		

PACKAGING DETAILS

	Individual Box	Outer Box	Master Box
Type:	MDC - BROWN PRINTED		
Units:	1.00	0.00	0.00
Measures:	0395-0310-0320	_____	_____
Gross Weight (kg):	2.14	-	-
CTN 40':	1.429,00		

OBSERVATIONS



TECHNICAL DATA 579839101

LAMP INFO

Description:	SUSPENSIÓN TANIA negro Ø235 1xE27
Mark:	10000 PD Pendant
Reference:	579839101
Range:	57982 TAMIS
Code EAN:	8421797798390
Measures (mm):	0236-0236-1500
Weight (kg):	1.50

Lampholder/Watts:	E27 LED max.20W	CCT:	-	Switch:	No
Bulb included:	No	Lm:	-	USB_C:	No
Class:	Class II	Effi LS:	-	Shade:	No
IP:	20	CRI:	-	Dimmable:	No
Driver inc.:	No	Lamp Power:	-		
Voltage/Frequence:	230V - 50Hz	Applied Standard:	CE / LVD		

PACKAGING DETAILS

	Individual Box	Outer Box	Master Box
Type:	MDC - BROWN PRINTED		
Units:	1.00	0.00	0.00
Measures:	0395-0310-0320	_____	_____
Gross Weight (kg):	2.14	-	-
CTN 40':	1.429,00		

OBSERVATIONS
