

**TECHNICAL DATA**    579826101

LAMP INFO	
Description:	SUSPENSIÓN TAMIS latón mate Ø200 1xE27
Mark:	10000 PD Pendant
Reference:	579826101
Range:	57982 TAMIS
Code EAN:	8421797798260
Measures (mm):	0200-0200-1500
Weight (kg):	1.54

Lampholder/Watts:	E27 LED max.20W	CCT:	-	Switch:	No
Bulb included:	No	Lm:	-	USB_C:	No
Class:	Class II	Effi LS:	-	Shade:	No
IP:	20	CRI:	-	Dimmable:	No
Driver inc.:	No	Lamp Power:	-		
Voltage/Frequence:	230V - 50Hz	Applied Standard:	CE / LVD		

PACKAGING DETAILS			
	Individual Box	Outer Box	Master Box
Type:	MDC - BROWN PRINTED		
Units:	1.00	0.00	0.00
Measures:	0420-0280-0290	_____	_____
Gross Weight (kg):	2.10	-	-
CTN 40':	1.642,00		

**OBSERVATIONS**

---



---



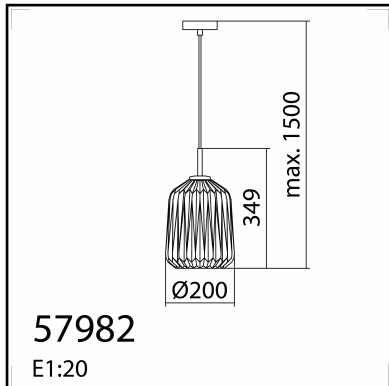
---



---



---



**TECHNICAL DATA**    579829101

LAMP INFO	
Description:	SUSPENSIÓN TAMIS negro Ø200 1xE27
Mark:	10000 PD Pendant
Reference:	579829101
Range:	57982 TAMIS
Code EAN:	8421797798291
Measures (mm):	0200-0200-1500
Weight (kg):	1.54

Lampholder/Watts:	E27 LED max.20W	CCT:	-	Switch:	No
Bulb included:	No	Lm:	-	USB_C:	No
Class:	Class II	Effi LS:	-	Shade:	No
IP:	20	CRI:	-	Dimmable:	No
Driver inc.:	No	Lamp Power:	-		
Voltage/Frequence:	230V - 50Hz	Applied Standard:	CE / LVD		

**PACKAGING DETAILS**

	Individual Box	Outer Box	Master Box
Type:	MDC - BROWN PRINTED		
Units:	1.00	0.00	0.00
Measures:	0420-0280-0290	_____	_____
Gross Weight (kg):	2.10	-	-
CTN 40':	1.642,00		

**OBSERVATIONS**

---



---



---



---



---