

**TECHNICAL DATA 579738301**

LAMP INFO	
Description:	PL GALILEO PND blanco text GU10 ø60x300mm
Mark:	10000 PD Pendant
Reference:	579738301
Range:	57970 GALILEO
Code EAN:	8421797797386
Measures (mm):	0060-0060-1825
Weight (kg):	0.59

Lampholder/Watts:	GU10 LED max.10W	CCT:	-	Switch:	No
Bulb included:	GU10	Lm:	-	USB_C:	No
Class:	Class II	Effi LS:	-	Shade:	No
IP:	20	CRI:	-	Dimmable:	No
Driver inc.:	No	Lamp Power:	-		
Voltage/Frequence:	230V - 50Hz	Applied Standard:	CE / LVD		

**PACKAGING DETAILS**

	Individual Box	Outer Box	Master Box
Type:	MDC - BROWN PRINTED	MDC - MARRON / BROWN	
Units:	1.00	20.00	0.00
Measures:	0090-0090-0390	0475-0400-0385	
Gross Weight (kg):	0.68	14.60	-
CTN 40°:	15.311,00		

**OBSERVATIONS**

---



---



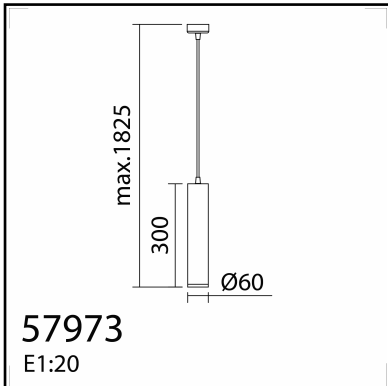
---



---



---



**TECHNICAL DATA 579739201**

**LAMP INFO**

Description:	PL GALILEO PND negro text GU10 ø60x300mm		
Mark:	10000	PD Pendant	
Reference:	579739201		
Range:	57970	GALILEO	
Code EAN:	8421797797393		
Measures (mm):	0060-0060-1825		
Weight (kg):	0.59		

Lampholder/Watts:	GU10 LED max.10W	CCT:	-	Switch:	No
Bulb included:	GU10	Lm:	-	USB_C:	No
Class:	Class II	Effi LS:	-	Shade:	No
IP:	20	CRI:	-	Dimmable:	No
Driver inc.:	No	Lamp Power:	-		
Voltage/Frequence:	230V - 50Hz	Applied Standard:	CE / LVD		

**PACKAGING DETAILS**

	Individual Box	Outer Box	Master Box
Type:	MDC - BROWN PRINTED	MDC - MARRON / BROWN	
Units:	1.00	20.00	0.00
Measures:	0090-0090-0390	0475-0400-0385	_____
Gross Weight (kg):	0.68	14.60	-
CTN 40':	15.311,00		

**OBSERVATIONS**

---



---



---



---



---