

TECHNICAL DATA 579618103

LAMP INFO

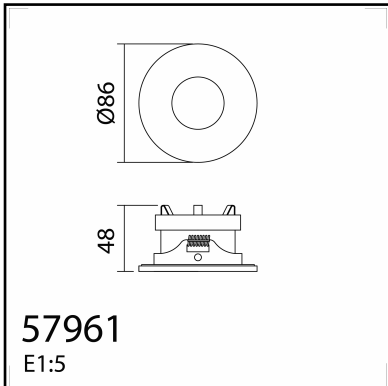
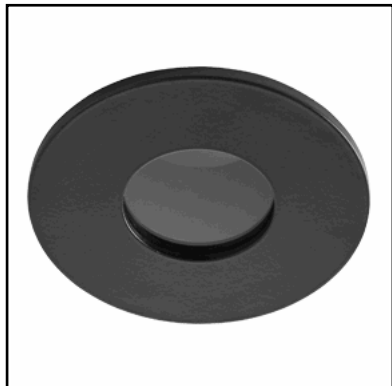
Description:	DL Recessed DARBY blanco GU10 ø86mm IP65		
Mark:	10008	DL Recessed	
Reference:	579618103		
Range:	57961	DARBY	
Code EAN:	8421797796181		
Measures (mm):	0086-0086-0048		
Weight (kg):	0.11		

Lampholder/Watts:	GU10 LED max.10W	CCT:	-	Switch:	No
Bulb included:	No	Lm:	-	USB_C:	No
Class:		Effi LS:	-	Shade:	No
IP:	20/65	CRI:	-	Dimmable:	
Driver inc.:	No	Lamp Power:	-		
Voltage/Frequence:	230V - 50Hz	Applied Standard:	CE / LVD		

PACKAGING DETAILS

	Individual Box	Outer Box	Master Box
Type:	MDC - BROWN PRINTED	MDC - MARRON / BROWN	
Units:	1.00	50.00	0.00
Measures:	0090-0090-0055	0475-0190-0300	_____
Gross Weight (kg):	0.14	7.40	-
CTN 40':	103.416,00		

OBSERVATIONS



TECHNICAL DATA 579619103

LAMP INFO

Description:	DL Recessed DARBY negro GU10 ø86mm IP65		
Mark:	10008	DL Recessed	
Reference:	579619103		
Range:	57961	DARBY	
Code EAN:	8421797796198		
Measures (mm):	0086-0086-0048		
Weight (kg):	0.11		

Lampholder/Watts:	GU10 LED max.10W	CCT:	-	Switch:	No
Bulb included:	No	Lm:	-	USB_C:	No
Class:		Effi LS:	-	Shade:	No
IP:	20/65	CRI:	-	Dimmable:	
Driver inc.:	No	Lamp Power:	-		
Voltage/Frequence:	230V - 50Hz	Applied Standard:	CE / LVD		

PACKAGING DETAILS

	Individual Box	Outer Box	Master Box
Type:	MDC - BROWN PRINTED	MDC - MARRON / BROWN	
Units:	1.00	50.00	0.00
Measures:	0090-0090-0055	0475-0190-0300	_____
Gross Weight (kg):	0.14	7.40	-
CTN 40':	103.416,00		

OBSERVATIONS
