

57931
E1:40

TECHNICAL DATA 579313502

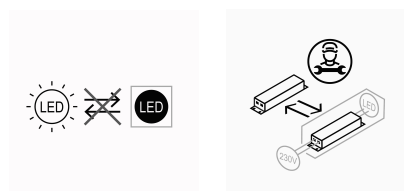
LAMP INFO	
Description:	FL MAICA cromo mate 30W+5W 3000k
Mark:	20000 FL Floor Lamp
Reference:	579313502
Range:	57931 MAICA
Code EAN:	8421797793135
Measures (mm):	0280-0280-1800
Weight (kg):	5.20

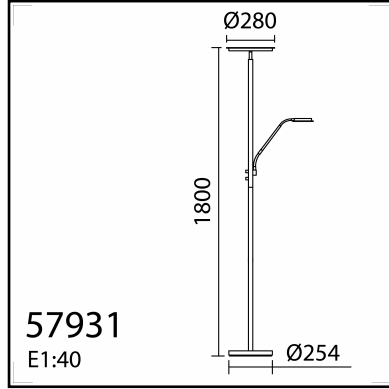
Lampholder/Watts:	LED 30W + 5W	CCT:	3000K	Switch:	Rotatory
Bulb included:	Yes - SMD	Lm:	3970	USB_C:	No
Class:	Class III	Effi LS:	C / D	Shade:	No
IP:	20	CRI:	80,00	Dimmable:	Progressive 0-100% dimmer included
Driver inc.:	Yes	Lamp Power:	35,00W		
Voltage/Frequence:	DC 24V - 1,5A	Applied Standard:	CE / LVD		

PACKAGING DETAILS

	Individual Box	Outer Box	Master Box
Type:	MDC-MARRON / BROWN		
Units:	1.00	0.00	0.00
Measures:	0315-0125-1025	_____	_____
Gross Weight (kg):	7.82	-	-
CTN 40':	1.387,00		

OBSERVATIONS





TECHNICAL DATA 579314302

LAMP INFO	
Description:	FL MAICA MEDALLA 30W+5W 3000k
Mark:	20000 FL Floor Lamp
Reference:	579314302
Range:	57931 MAICA
Code EAN:	8421797793142
Measures (mm):	0280-0280-1800
Weight (kg):	5.20

Lampholder/Watts:	LED 30W + 5W	CCT:	3000K	Switch:	Rotatory
Bulb included:	Yes - SMD	Lm:	3970	USB_C:	No
Class:	Class III	Effi LS:	C / D	Shade:	No
IP:	20	CRI:	80,00	Dimmable:	Progressive 0-100% dimmer included
Driver inc.:	Yes	Lamp Power:	35,00W		
Voltage/Frequence:	DC 24V - 1.5A	Applied Standard:	CE / LVD		

PACKAGING DETAILS

	Individual Box	Outer Box	Master Box
Type:	MDC-MARRON / BROWN		
Units:	1.00	0.00	0.00
Measures:	0315-0125-1025	_____	_____
Gross Weight (kg):	7.82	-	-
CTN 40':	1.387,00		

OBSERVATIONS

