

TECHNICAL DATA 579298103

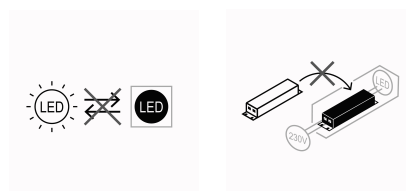
LAMP INFO	
Description:	DL OASIS blanco LED 18W ø225mm 3K IP44
Mark:	10008 DL Recessed
Reference:	579298103
Range:	57926 OASIS
Code EAN:	8421797792930
Measures (mm):	0056-0225-0225
Weight (kg):	0.23

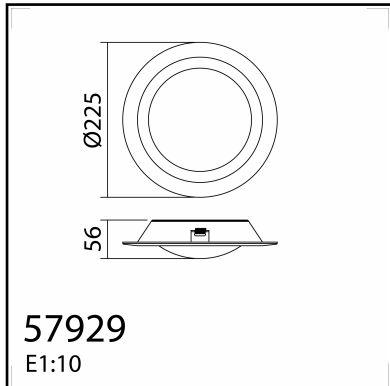
Lampholder/Watts:	LED 18W	CCT:	3000K	Switch:	No
Bulb included:	Yes - SMD	Lm:	1440	USB_C:	No
Class:	Class II	Effi LS:	G	Shade:	No
IP:	20/44	CRI:	86,00	Dimmable:	No
Driver inc.:	Yes	Lamp Power:	18,00W		
Voltage/Frequence:	230V - 50Hz	Applied Standard:	CE / LVD		

PACKAGING DETAILS

	Individual Box	Outer Box	Master Box
Type:	MDC- COLORS / COULEUR	MDC - MARRON / BROWN	
Units:	1.00	20.00	0.00
Measures:	0228-0058-0229	0610-0480-0245	
Gross Weight (kg):	0.30	7.40	-
CTN 40':	15.612.00		

OBSERVATIONS





TECHNICAL DATA 579298104

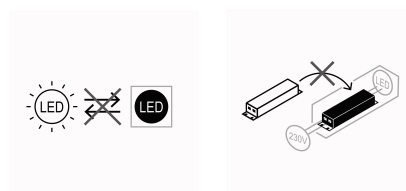
LAMP INFO	
Description:	DL OASIS blanco LED 18W ø225mm 4K IP44
Mark:	10008 DL Recessed
Reference:	579298104
Range:	57926 OASIS
Code EAN:	8421797792947
Measures (mm):	0056-0225-0225
Weight (kg):	0.23

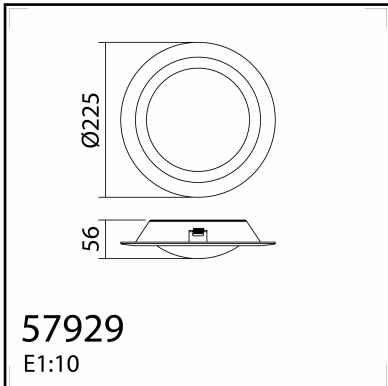
Lampholder/Watts:	LED 18W	CCT:	4000K	Switch:	No
Bulb included:	Yes - SMD	Lm:	1440	USB_C:	No
Class:	Class II	Effi LS:	G	Shade:	No
IP:	20/44	CRI:	86,00	Dimmable:	No
Driver inc.:	Yes	Lamp Power:	18,00W		
Voltage/Frequence:	230V - 50Hz	Applied Standard:	CE / LVD		

PACKAGING DETAILS

	Individual Box	Outer Box	Master Box
Type:	MDC- COLORS / COULEUR	MDC - MARRON / BROWN	
Units:	1.00	20.00	0.00
Measures:	0228-0058-0229	0610-0480-0245	
Gross Weight (kg):	0.30	7.40	-
CTN 40':	15.612.00		

OBSERVATIONS





TECHNICAL DATA 579298105

LAMP INFO

Description:	DL OASIS blanco LED 18W ø225mm 5K IP44
Mark:	10008 DL Recessed
Reference:	579298105
Range:	57926 OASIS
Code EAN:	8421797792954
Measures (mm):	0056-0225-0225
Weight (kg):	0.23

Lampholder/Watts:	LED 18W	CCT:	5000K	Switch:	No
Bulb included:	Yes - SMD	Lm:	1440	USB_C:	No
Class:	Class II	Effi LS:	G	Shade:	No
IP:	20/44	CRI:	86,00	Dimmable:	No
Driver inc.:	Yes	Lamp Power:	18,00W		
Voltage/Frequence:	230V - 50Hz	Applied Standard:	CE / LVD		

PACKAGING DETAILS

	Individual Box	Outer Box	Master Box
Type:	MDC- COLORS / COULEUR	MDC - MARRON / BROWN	
Units:	1.00	20.00	0.00
Measures:	0228-0058-0229	0610-0480-0245	_____
Gross Weight (kg):	0.30	7.40	-
CTN 40':	15.612.00		

OBSERVATIONS

