

TECHNICAL DATA 579288103

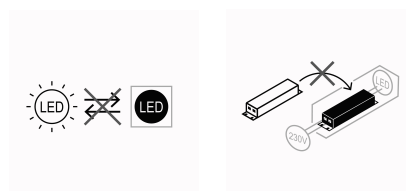
LAMP INFO	
Description:	DL OASIS blanco LED 12W ø180mm 3K IP44
Mark:	10008 DL Recessed
Reference:	579288103
Range:	57926 OASIS
Code EAN:	8421797792732
Measures (mm):	0046-0180-0180
Weight (kg):	0.14

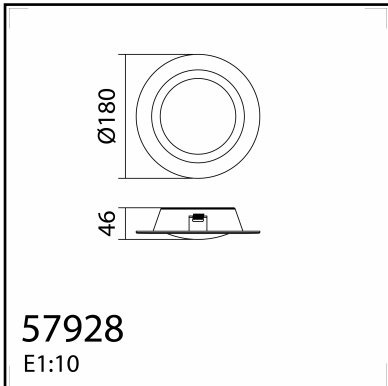
Lampholder/Watts:	LED 12W	CCT:	3000K	Switch:	No
Bulb included:	Yes - SMD	Lm:	960	USB_C:	No
Class:	Class II	Effi LS:	G	Shade:	No
IP:	20/44	CRI:	83,50	Dimmable:	No
Driver inc.:	Yes	Lamp Power:	12,00W		
Voltage/Frequence:	230V - 50Hz	Applied Standard:	CE / LVD		

PACKAGING DETAILS

	Individual Box	Outer Box	Master Box
Type:	MDC- COLORS / COULEUR	MDC - MARRON / BROWN	
Units:	1.00	40.00	0.00
Measures:	0183-0050-0184	0530-0390-0385	
Gross Weight (kg):	0.20	9.30	-
CTN 40':	28.147,00		

OBSERVATIONS





TECHNICAL DATA 579288104

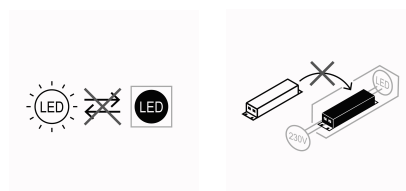
LAMP INFO	
Description:	DL OASIS blanco LED 12W ø180mm 4K IP44
Mark:	10008 DL Recessed
Reference:	579288104
Range:	57926 OASIS
Code EAN:	8421797792749
Measures (mm):	0046-0180-0180
Weight (kg):	0.14

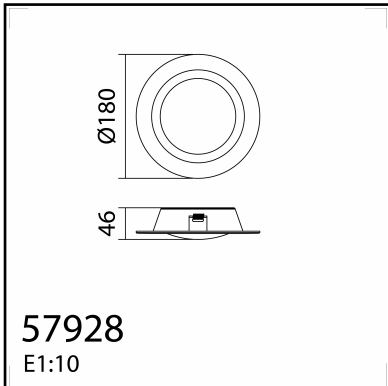
Lampholder/Watts:	LED 12W	CCT:	4000K	Switch:	No
Bulb included:	Yes - SMD	Lm:	960	USB_C:	No
Class:	Class II	Effi LS:	G	Shade:	No
IP:	20/44	CRI:	83,50	Dimmable:	No
Driver inc.:	Yes	Lamp Power:	12,00W		
Voltage/Frequence:	230V - 50Hz	Applied Standard:	CE / LVD		

PACKAGING DETAILS

	Individual Box	Outer Box	Master Box
Type:	MDC- COLORS / COULEUR	MDC - MARRON / BROWN	
Units:	1.00	40.00	0.00
Measures:	0183-0050-0184	0530-0390-0385	_____
Gross Weight (kg):	0.20	9.30	-
CTN 40':	28.147,00		

OBSERVATIONS





TECHNICAL DATA 579288105

LAMP INFO

Description:	DL OASIS blanco LED 12W ø180mm 5K IP44		
Mark:	10008	DL Recessed	
Reference:	579288105		
Range:	57926	OASIS	
Code EAN:	8421797792756		
Measures (mm):	0046-0180-0180		
Weight (kg):	0.14		

Lampholder/Watts:	LED 12W	CCT:	5000K	Switch:	No
Bulb included:	Yes - SMD	Lm:	960	USB_C:	No
Class:	Class II	Effi LS:	G	Shade:	No
IP:	20/44	CRI:	83,50	Dimmable:	No
Driver inc.:	Yes	Lamp Power:	12,00W		
Voltage/Frequence:	230V - 50Hz	Applied Standard:	CE / LVD		

PACKAGING DETAILS

	Individual Box	Outer Box	Master Box
Type:	MDC- COLORS / COULEUR	MDC - MARRON / BROWN	
Units:	1.00	40.00	0.00
Measures:	0183-0050-0184	0530-0390-0385	_____
Gross Weight (kg):	0.20	9.30	-
CTN 40':	28.147,00		

OBSERVATIONS

