

TECHNICAL DATA 579268103

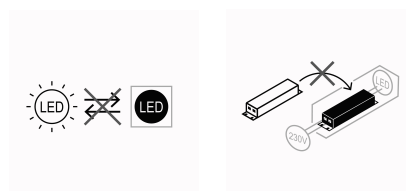
LAMP INFO	
Description:	DL OASIS blanco LED 6W ø130mm 3K IP44
Mark:	10008 DL Recessed
Reference:	579268103
Range:	57926 OASIS
Code EAN:	8421797792633
Measures (mm):	0040-0130-0130
Weight (kg):	0.09

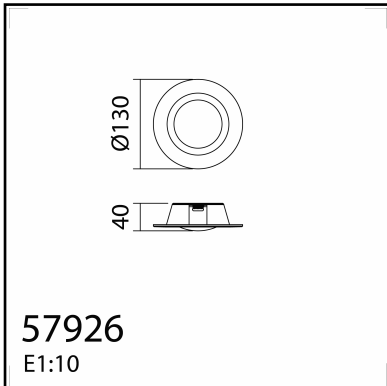
Lampholder/Watts:	LED 6W	CCT:	3000K	Switch:	No
Bulb included:	Yes - SMD	Lm:	540	USB_C:	No
Class:	Class II	Effi LS:	G	Shade:	No
IP:	20/44	CRI:	83,50	Dimmable:	No
Driver inc.:	Yes	Lamp Power:	6,00W		
Voltage/Frequence:	230V - 50Hz	Applied Standard:	CE / LVD		

PACKAGING DETAILS

	Individual Box	Outer Box	Master Box
Type:	MDC- COLORS / COULEUR	MDC - MARRON / BROWN	
Units:	1.00	40.00	0.00
Measures:	0133-0044-0134	0470-0285-0285	_____
Gross Weight (kg):	0.13	5.70	-
CTN 40':	58.675,00		

OBSERVATIONS





TECHNICAL DATA 579268104

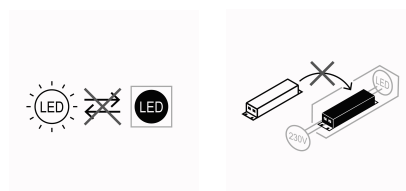
LAMP INFO	
Description:	DL OASIS blanco LED 6W ø130mm 4K IP44
Mark:	10008 DL Recessed
Reference:	579268104
Range:	57926 OASIS
Code EAN:	8421797792640
Measures (mm):	0040-0130-0130
Weight (kg):	0.09

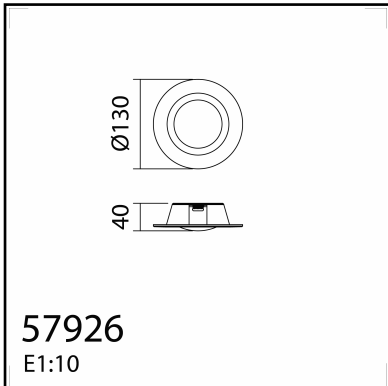
Lampholder/Watts:	LED 6W	CCT:	4000K	Switch:	No
Bulb included:	Yes - SMD	Lm:	540	USB_C:	No
Class:	Class II	Effi LS:	G	Shade:	No
IP:	20/44	CRI:	83,50	Dimmable:	No
Driver inc.:	Yes	Lamp Power:	6,00W		
Voltage/Frequence:	230V - 50Hz	Applied Standard:	CE / LVD		

PACKAGING DETAILS

	Individual Box	Outer Box	Master Box
Type:	MDC- COLORS / COULEUR	MDC - MARRON / BROWN	
Units:	1.00	40.00	0.00
Measures:	0133-0044-0134	0470-0285-0285	_____
Gross Weight (kg):	0.13	5.70	-
CTN 40':	58.675,00		

OBSERVATIONS





TECHNICAL DATA 579268105

LAMP INFO

Description:	DL OASIS blanco LED 6W ø130mm 5K IP44		
Mark:	10008	DL Recessed	
Reference:	579268105		
Range:	57926	OASIS	
Code EAN:	8421797792657		
Measures (mm):	0040-0130-0130		
Weight (kg):	0.09		

Lampholder/Watts:	LED 6W	CCT:	5000K	Switch:	No
Bulb included:	Yes - SMD	Lm:	540	USB_C:	No
Class:	Class II	Effi LS:	G	Shade:	No
IP:	20/44	CRI:	83,50	Dimmable:	No
Driver inc.:	Yes	Lamp Power:	6,00W		
Voltage/Frequence:	230V - 50Hz	Applied Standard:	CE / LVD		

PACKAGING DETAILS

	Individual Box	Outer Box	Master Box
Type:	MDC- COLORS / COULEUR	MDC - MARRON / BROWN	
Units:	1.00	40.00	0.00
Measures:	0133-0044-0134	0470-0285-0285	_____
Gross Weight (kg):	0.13	5.70	-
CTN 40':	58.675,00		

OBSERVATIONS

