

57920
E1:10

TECHNICAL DATA 579209101

LAMP INFO

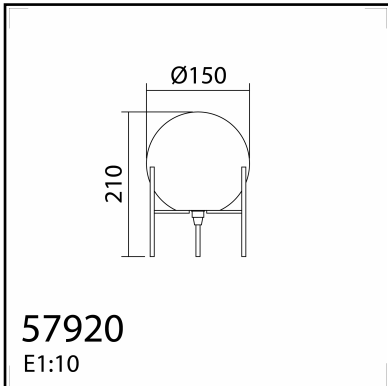
Description:	TL NEIL negro + cristal opal E27
Mark:	20001 TL Table Lamp
Reference:	579209101
Range:	57920 NEIL
Code EAN:	8421797792091
Measures (mm):	0150-0150-0210
Weight (kg):	0.50

Lampholder/Watts:	E27 LED max.20W	CCT:	-	Switch:	Line switch
Bulb included:	No	Lm:	-	USB_C:	No
Class:	Class II	Effi LS:	-	Shade:	No
IP:	20	CRI:	-	Dimmable:	No
Driver inc.:	No	Lamp Power:	-		
Voltage/Frequence:	230V - 50Hz	Applied Standard:	CE / LVD		

PACKAGING DETAILS

	Individual Box	Outer Box	Master Box
Type:	MDC - BROWN PRINTED	MDC - MARRON / BROWN (c)	
Units:	1.00	6.00	0.00
Measures:	0210-0210-0330	0670-0450-0360	_____
Gross Weight (kg):	0.70	5.24	-
CTN 40°:	3.095,00		

OBSERVATIONS



TECHNICAL DATA 579201001

LAMP INFO

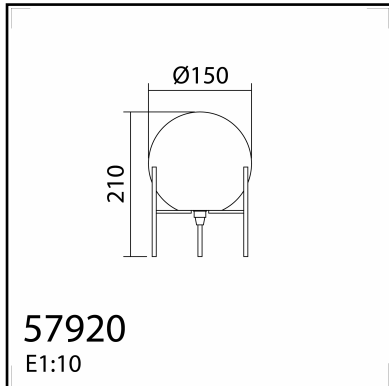
Description:	TL NEIL oro + cristal opal E27
Mark:	20001 TL Table Lamp
Reference:	579201001
Range:	57920 NEIL
Code EAN:	8421797792015
Measures (mm):	0150-0150-0210
Weight (kg):	0.50

Lampholder/Watts:	E27 LED max.20W	CCT:	-	Switch:	Line switch
Bulb included:	No	Lm:	-	USB_C:	No
Class:	Class II	Effi LS:	-	Shade:	No
IP:	20	CRI:	-	Dimmable:	No
Driver inc.:	No	Lamp Power:	-		
Voltage/Frequence:	230V - 50Hz	Applied Standard:	CE / LVD		

PACKAGING DETAILS

	Individual Box	Outer Box	Master Box
Type:	MDC - BROWN PRINTED	MDC - MARRON / BROWN (c)	
Units:	1.00	6.00	0.00
Measures:	0210-0210-0330	0670-0450-0360	_____
Gross Weight (kg):	0.70	5.24	-
CTN 40°:	3.095,00		

OBSERVATIONS



TECHNICAL DATA 579203001

LAMP INFO	
Description:	TL NEIL gris + cristal opal E27
Mark:	20001 TL Table Lamp
Reference:	579203001
Range:	57920 NEIL
Code EAN:	8421797792039
Measures (mm):	0150-0150-0210
Weight (kg):	0.50

Lampholder/Watts:	E27 LED max.20W	CCT:	-	Switch:	Line switch
Bulb included:	No	Lm:	-	USB_C:	No
Class:	Class II	Effi LS:	-	Shade:	No
IP:	20	CRI:	-	Dimmable:	No
Driver inc.:	No	Lamp Power:	-		
Voltage/Frequence:	230V - 50Hz	Applied Standard:	CE / LVD		

PACKAGING DETAILS

	Individual Box	Outer Box	Master Box
Type:	MDC - BROWN PRINTED	MDC - MARRON / BROWN (c)	
Units:	1.00	6.00	0.00
Measures:	0210-0210-0330	0670-0450-0360	_____
Gross Weight (kg):	0.70	5.24	-
CTN 40':	3.095,00		

OBSERVATIONS
