

TECHNICAL DATA 57888102

LAMP INFO

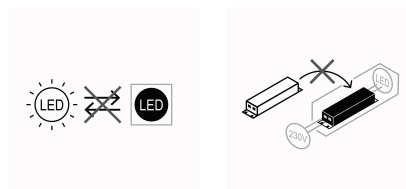
Description:	CL CELIO Blanco 60W ø50cm 4000K
Mark:	10001 CL Ceiling
Reference:	57888102
Range:	57887 CELIO
Code EAN:	8421797788889
Measures (mm):	0500-0057-0500
Weight (kg):	2.50

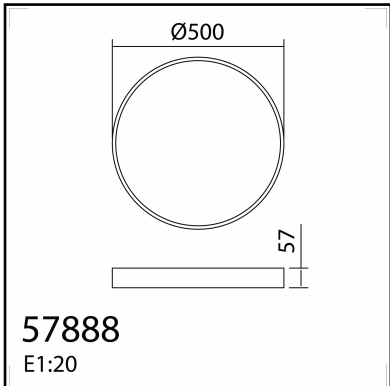
Lampholder/Watts:	LED 60W	CCT:	4000K	Switch:	No
Bulb included:	No	Lm:	4000	USB_C:	No
Class:	Class I	Effi LS:	F	Shade:	No
IP:	20	CRI:	80,00	Dimmable:	No
Driver inc.:	No	Lamp Power:	60,00W		
Voltage/Frequence:	230V - 50Hz	Applied Standard:	CE / LVD		

PACKAGING DETAILS

	Individual Box	Outer Box	Master Box
Type:	MDC-MARRON / BROWN	MDC - MARRON / BROWN	
Units:	1.00	6.00	0.00
Measures:	0510-0070-0520	0525-0445-0540	
Gross Weight (kg):	2.70	17.10	-
CTN 40°:	2.663,00		

OBSERVATIONS





TECHNICAL DATA 57888109

LAMP INFO

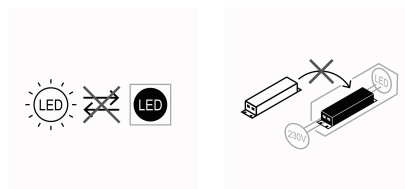
Description:	CL CELIO Blanco 60W ø50cm 3000K
Mark:	10001 CL Ceiling
Reference:	57888109
Range:	57887 CELIO
Code EAN:	8421797788872
Measures (mm):	0500-0057-0500
Weight (kg):	2.50

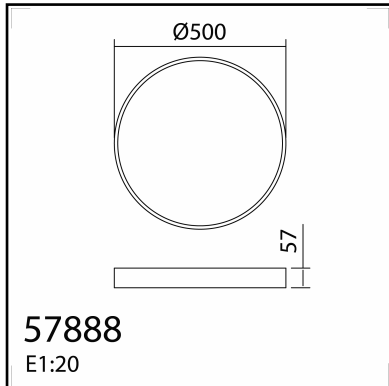
Lampholder/Watts:	LED 60W	CCT:	3000K	Switch:	No
Bulb included:	No	Lm:	4000	USB_C:	No
Class:	Class I	Effi LS:	E	Shade:	No
IP:	20	CRI:	80,00	Dimmable:	No
Driver inc.:	No	Lamp Power:	60,00W		
Voltage/Frequence:	230V - 50Hz	Applied Standard:	CE / LVD		

PACKAGING DETAILS

	Individual Box	Outer Box	Master Box
Type:	MDC-MARRON / BROWN	MDC - MARRON / BROWN	
Units:	1.00	6.00	0.00
Measures:	0510-0070-0520	0525-0445-0540	
Gross Weight (kg):	2.70	17.10	-
CTN 40':	2.663,00		

OBSERVATIONS





TECHNICAL DATA 578889102

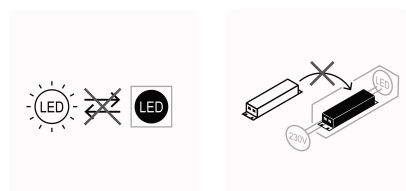
LAMP INFO	
Description:	CL CELIO negro 60W ø50cm 4000K
Mark:	10001 CL Ceiling
Reference:	578889102
Range:	57887 CELIO
Code EAN:	8421797788896
Measures (mm):	0500-0057-0500
Weight (kg):	2.50

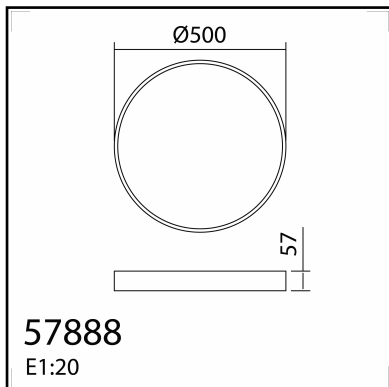
Lampholder/Watts:	LED 60W	CCT:	4000K	Switch:	No
Bulb included:	No	Lm:	4000	USB_C:	No
Class:	Class I	Effi LS:	F	Shade:	No
IP:	20	CRI:	80,00	Dimmable:	No
Driver inc.:	No	Lamp Power:	60,00W		
Voltage/Frequence:	230V - 50Hz	Applied Standard:	CE / LVD		

PACKAGING DETAILS

	Individual Box	Outer Box	Master Box
Type:	MDC-MARRON / BROWN	MDC - MARRON / BROWN	
Units:	1.00	6.00	0.00
Measures:	0510-0070-0520	0525-0445-0540	
Gross Weight (kg):	2.70	17.10	-
CTN 40°:	2.663,00		

OBSERVATIONS





TECHNICAL DATA 578889109

LAMP INFO	
Description:	CL CELIO negro 60W ø50cm 3000K
Mark:	10001 CL Ceiling
Reference:	578889109
Range:	57887 CELIO
Code EAN:	8421797788834
Measures (mm):	0500-0057-0500
Weight (kg):	2.50

Lampholder/Watts:	LED 60W	CCT:	3000K	Switch:	No
Bulb included:	No	Lm:	4000	USB_C:	No
Class:	Class I	Effi LS:	E	Shade:	No
IP:	20	CRI:	80,00	Dimmable:	No
Driver inc.:	No	Lamp Power:	60,00W		
Voltage/Frequence:	230V - 50Hz	Applied Standard:	CE / LVD		

PACKAGING DETAILS

	Individual Box	Outer Box	Master Box
Type:	MDC-MARRON / BROWN	MDC - MARRON / BROWN	
Units:	1.00	6.00	0.00
Measures:	0510-0070-0520	0525-0445-0540	
Gross Weight (kg):	2.70	17.10	-
CTN 40':	2.663,00		

OBSERVATIONS

