

57874
E1:40

TECHNICAL DATA 578743504

LAMP INFO	
Description:	FL ROMESA SN+natural E27 USB
Mark:	20000 FL Floor Lamp
Reference:	578743504
Range:	57680 ROOMER
Code EAN:	8421797787431
Measures (mm):	0400-0400-1602
Weight (kg):	3.50

Lampholder/Watts:	E27 LED max.20W	CCT:	-	Switch:	Rocker switch
Bulb included:	No	Lm:	-	USB_C:	Yes
Class:	Class II	Effi LS:	-	Shade:	No
IP:	20	CRI:	-	Dimmable:	No
Driver inc.:	No	Lamp Power:	-		
Voltage/Frequence:	230V - 50Hz	Applied Standard:	CE / LVD		

PACKAGING DETAILS

	Individual Box	Outer Box	Master Box
Type:	MDC - BROWN PRINTED	MDC - MARRON / BROWN	
Units:	1.00	2.00	0.00
Measures:	0795-0360-0110	0375-0235-0830	
Gross Weight (kg):	4.20	12.70	-
CTN 40':	1.531,00		

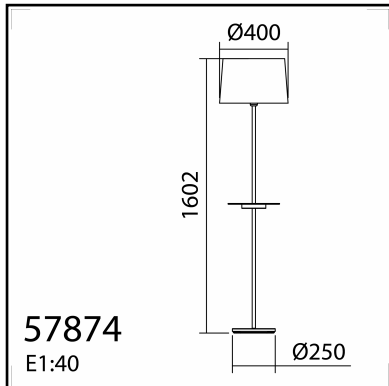
OBSERVATIONS

Medidas Cajas Pantalla / Shade box size:

Caja ind. / Ind. box: 425x425x305mm

Caja mast / Outer box (2pcs): 440x440x635mm.

USB socket (A / C), 5VDC - 2A



57874
E1:40

TECHNICAL DATA 578746104

LAMP INFO	
Description:	FL ROMESA MBss+nogal E27 USB
Mark:	20000 FL Floor Lamp
Reference:	578746104
Range:	57680 ROOMER
Code EAN:	8421797787462
Measures (mm):	0400-0400-1602
Weight (kg):	3.50

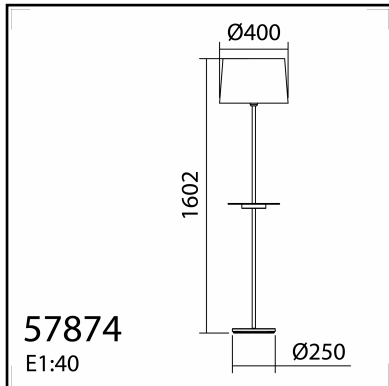
Lampholder/Watts:	E27 LED max.20W	CCT:	-	Switch:	Rocker switch
Bulb included:	No	Lm:	-	USB_C:	Yes
Class:	Class II	Effi LS:	-	Shade:	No
IP:	20	CRI:	-	Dimmable:	No
Driver inc.:	No	Lamp Power:	-		
Voltage/Frequence:	230V - 50Hz	Applied Standard:	CE / LVD		

PACKAGING DETAILS

	Individual Box	Outer Box	Master Box
Type:	MDC - BROWN PRINTED	MDC - MARRON / BROWN	
Units:	1.00	2.00	0.00
Measures:	0795-0360-0110	0375-0235-0830	
Gross Weight (kg):	4.20	12.70	-
CTN 40':	1.531,00		

OBSERVATIONS

Medidas Cajas Pantalla / Shade box size:	
Caja ind. / Ind. box: 425x425x305mm	
Caja mast / Outer box (2pcs): 440x440x635mm.	
USB socket (A / C), 5VDC - 2A	



57874
E1:40

TECHNICAL DATA 578749104

LAMP INFO	
Description:	FL ROMESA MBK+natural E27 USB
Mark:	20000 FL Floor Lamp
Reference:	578749104
Range:	57680 ROOMER
Code EAN:	8421797787493
Measures (mm):	0400-0400-1602
Weight (kg):	3.50

Lampholder/Watts:	E27 LED max.20W	CCT:	-	Switch:	Rocker switch
Bulb included:	No	Lm:	-	USB_C:	Yes
Class:	Class II	Effi LS:	-	Shade:	No
IP:	20	CRI:	-	Dimmable:	No
Driver inc.:	No	Lamp Power:	-		
Voltage/Frequence:	230V - 50Hz	Applied Standard:	CE / LVD		

PACKAGING DETAILS

	Individual Box	Outer Box	Master Box
Type:	MDC - BROWN PRINTED	MDC - MARRON / BROWN	
Units:	1.00	2.00	0.00
Measures:	0795-0360-0110	0375-0235-0830	
Gross Weight (kg):	4.20	12.70	-
CTN 40':	1.531,00		

OBSERVATIONS

Medidas Cajas Pantalla / Shade box size:

Caja ind. / Ind. box: 425x425x305mm

Caja mast / Outer box (2pcs): 440x440x635mm.

USB socket (A / C), 5VDC - 2A