

TECHNICAL DATA 578683501

LAMP INFO

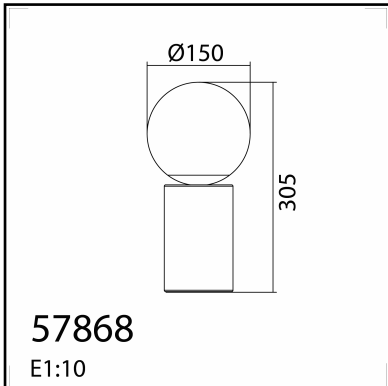
Description:	LM MARS cromo mate E14 TOUCH
Mark:	20001 TL Table Lamp
Reference:	578683501
Range:	7868 MARS
Code EAN:	8421797786830
Measures (mm):	0150-0150-0305
Weight (kg):	0.64

Lampholder/Watts:	E14 LED max.9W	CCT:	-	Switch:	Touch
Bulb included:	No	Lm:	-	USB_C:	No
Class:	Class II	Effi LS:	-	Shade:	No
IP:	20	CRI:	-	Dimmable:	No
Driver inc.:	No	Lamp Power:	-		
Voltage/Frequence:	230V - 50Hz	Applied Standard:	CE / LVD		

PACKAGING DETAILS

	Individual Box	Outer Box	Master Box
Type:	MDC - BROWN PRINTED	MDC - MARRON / BROWN (c)	
Units:	1.00	6.00	0.00
Measures:	0330-0165-0165	0515-0350-0350	_____
Gross Weight (kg):	0.82	5.50	-
CTN 40':	5.325,00		

OBSERVATIONS



TECHNICAL DATA 578686101

LAMP INFO

Description:	LM MARS latón mate E14 TOUCH
Mark:	20001 TL Table Lamp
Reference:	578686101
Range:	7868 MARS
Code EAN:	8421797786861
Measures (mm):	0150-0150-0305
Weight (kg):	0.64

Lampholder/Watts:	E14 LED max.9W	CCT:	-	Switch:	Touch
Bulb included:	No	Lm:	-	USB_C:	No
Class:	Class II	Effi LS:	-	Shade:	No
IP:	20	CRI:	-	Dimmable:	No
Driver inc.:	No	Lamp Power:	-		
Voltage/Frequence:	230V - 50Hz	Applied Standard:	CE / LVD		

PACKAGING DETAILS

	Individual Box	Outer Box	Master Box
Type:	MDC - BROWN PRINTED	MDC - MARRON / BROWN (c)	
Units:	1.00	6.00	0.00
Measures:	0330-0165-0165	0515-0350-0350	_____
Gross Weight (kg):	0.82	5.50	-
CTN 40':	5.325,00		

OBSERVATIONS
