

**TECHNICAL DATA 578598102**

**LAMP INFO**

<b>Description:</b>	LM ROBIN 10W blanco + dimmer 3 int
<b>Mark:</b>	20001 TL Table Lamp
<b>Reference:</b>	578598102
<b>Range:</b>	57859 ROBIN
<b>Code EAN:</b>	8421797785987
<b>Measures (mm):</b>	0770-0134-0134
<b>Weight (kg):</b>	1.40

<b>Lampholder/Watts:</b>	LED 10W	<b>CCT:</b>	4000K	<b>Switch:</b>	Touch
<b>Bulb included:</b>	Yes - SMD	<b>Lm:</b>	750	<b>USB_C:</b>	No
<b>Class:</b>	Class III	<b>Effi LS:</b>	F	<b>Shade:</b>	No
<b>IP:</b>	20	<b>CRI:</b>	96,40	<b>Dimmable:</b>	3 steps dimmer included
<b>Driver inc.:</b>	Yes	<b>Lamp Power:</b>	10,00W		
<b>Voltage/Frequence:</b>	DC 12V - 0.7A	<b>Applied Standard:</b>	CE / LVD		

**PACKAGING DETAILS**

	Individual Box	Outer Box	Master Box
<b>Type:</b>	MDC - BROWN PRINTED	MDC - MARRON / BROWN (c)	
<b>Units:</b>	1.00	6.00	0.00
<b>Measures:</b>	0200-0158-0380	0490-0420-0400	_____
<b>Gross Weight (kg):</b>	1.64	11.30	-
<b>CTN 40':</b>	4.081,00		

**OBSERVATIONS**

---



---



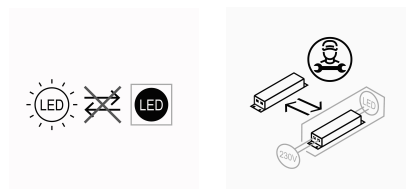
---

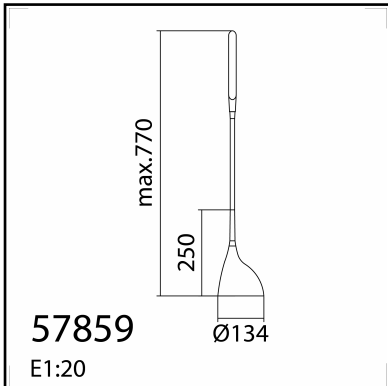


---



---





**TECHNICAL DATA 57859102**

LAMP INFO	
Description:	LM ROBIN 10W negro + dimmer 3 int
Mark:	20001 TL Table Lamp
Reference:	57859102
Range:	57859 ROBIN
Code EAN:	8421797785994
Measures (mm):	0770-0134-0134
Weight (kg):	1.40

Lampholder/Watts:	LED 10W	CCT:	4000K	Switch:	Touch
Bulb included:	Yes - SMD	Lm:	750	USB_C:	No
Class:	Class III	Effi LS:	F	Shade:	No
IP:	20	CRI:	96,40	Dimmable:	3 steps dimmer included
Driver inc.:	Yes	Lamp Power:	10,00W		
Voltage/Frequence:	DC 12V - 0.7A	Applied Standard:	CE / LVD		

**PACKAGING DETAILS**

	Individual Box	Outer Box	Master Box
Type:	MDC - BROWN PRINTED	MDC - MARRON / BROWN (c)	
Units:	1.00	6.00	0.00
Measures:	0200-0158-0380	0490-0420-0400	_____
Gross Weight (kg):	1.64	11.30	-
CTN 40':	4.081,00		

**OBSERVATIONS**

---



---



---



---



---

