

TECHNICAL DATA 578556802

LAMP INFO

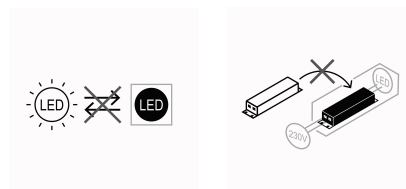
Description:	PLAFON EROS, LED 15W 4K ø28cm (blanco opal)		
Mark:	10001	CL Ceiling	
Reference:	578556802		
Range:	57567	EROS	
Code EAN:	8421797785567		
Measures (mm):	0280-0060-0280		
Weight (kg):	0.37		

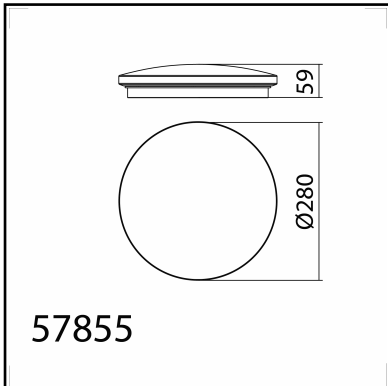
Lampholder/Watts:	LED 15W	CCT:	4000K	Switch:	No
Bulb included:	Yes - SMD	Lm:	1120	USB_C:	No
Class:	Class I	Effi LS:	F	Shade:	No
IP:	20	CRI:	84,80	Dimmable:	No
Driver inc.:	Yes	Lamp Power:	15,00W		
Voltage/Frequence:	230V - 50Hz	Applied Standard:	CE / LVD		

PACKAGING DETAILS

	Individual Box	Outer Box	Master Box
Type:	COLOR BOX	MDC - MARRON / BROWN	
Units:	1.00	10.00	0.00
Measures:	0285-0065-0285	0585-0345-0300	
Gross Weight (kg):	0.50	5.25	-
CTN 40':	9.248,00		

OBSERVATIONS





TECHNICAL DATA 578556902

LAMP INFO

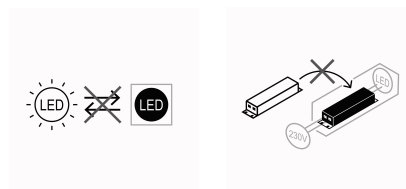
Description:	PLAFON EROS, LED 15W 4K ø28cm (blanco estrellas)		
Mark:	10001	CL Ceiling	
Reference:	578556902		
Range:	57567	EROS	
Code EAN:	8421797785581		
Measures (mm):	0280-0060-0280		
Weight (kg):	0.37		

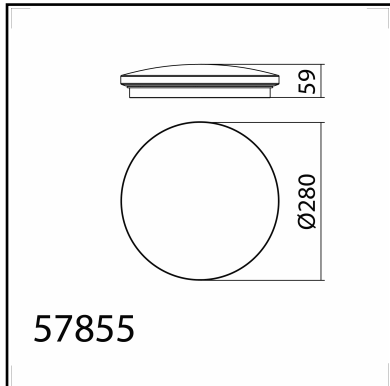
Lampholder/Watts:	LED 15W	CCT:	4000K	Switch:	No
Bulb included:	Yes - SMD	Lm:	1120	USB_C:	No
Class:	Class I	Effi LS:	F	Shade:	No
IP:	20	CRI:	84,80	Dimmable:	No
Driver inc.:	Yes	Lamp Power:	15,00W		
Voltage/Frequence:	230V - 50Hz	Applied Standard:	CE / LVD		

PACKAGING DETAILS

	Individual Box	Outer Box	Master Box
Type:	COLOR BOX	MDC - MARRON / BROWN	
Units:	1.00	10.00	0.00
Measures:	0285-0065-0285	0585-0345-0300	_____
Gross Weight (kg):	0.50	5.25	-
CTN 40':	9.248,00		

OBSERVATIONS





TECHNICAL DATA 578556809

LAMP INFO

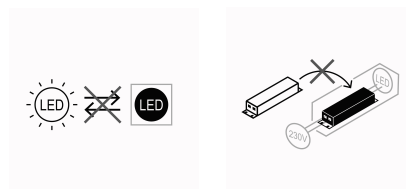
Description:	PLAFON EROS, LED 15W 3K ø28cm (blanco opal)		
Mark:	10001	CL Ceiling	
Reference:	578556809		
Range:	57567	EROS	
Code EAN:	8421797785574		
Measures (mm):	0280-0060-0280		
Weight (kg):	0.37		

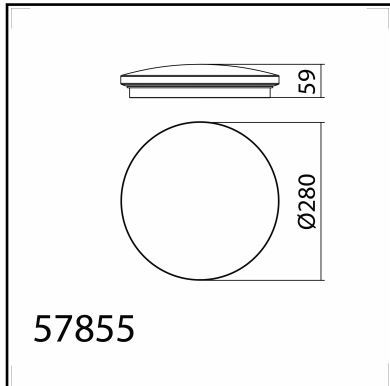
Lampholder/Watts:	LED 15W	CCT:	3000K	Switch:	No
Bulb included:	Yes - SMD	Lm:	1120	USB_C:	No
Class:	Class I	Effi LS:	F	Shade:	No
IP:	20	CRI:	84,80	Dimmable:	No
Driver inc.:	Yes	Lamp Power:	15,00W		
Voltage/Frequence:	230V - 50Hz	Applied Standard:	CE / LVD		

PACKAGING DETAILS

	Individual Box	Outer Box	Master Box
Type:	COLOR BOX	MDC - MARRON / BROWN	
Units:	1.00	10.00	0.00
Measures:	0285-0065-0285	0585-0345-0300	_____
Gross Weight (kg):	0.50	5.25	-
CTN 40':	9.248,00		

OBSERVATIONS





TECHNICAL DATA 578556909

LAMP INFO

Description:	PLAFON EROS, LED 15W 3K ø28cm (blanco estrellas)		
Mark:	10001	CL Ceiling	
Reference:	578556909		
Range:	57567	EROS	
Code EAN:	8421797785598		
Measures (mm):	0280-0060-0280		
Weight (kg):	0.37		

Lampholder/Watts:	LED 15W	CCT:	3000K	Switch:	No
Bulb included:	Yes - SMD	Lm:	1120	USB_C:	No
Class:	Class I	Effi LS:	F	Shade:	No
IP:	20	CRI:	84,80	Dimmable:	No
Driver inc.:	Yes	Lamp Power:	15,00W		
Voltage/Frequence:	230V - 50Hz	Applied Standard:	CE / LVD		

PACKAGING DETAILS

	Individual Box	Outer Box	Master Box
Type:	COLOR BOX	MDC - MARRON / BROWN	
Units:	1.00	10.00	0.00
Measures:	0285-0065-0285	0585-0345-0300	_____
Gross Weight (kg):	0.50	5.25	-
CTN 40':	9.248,00		

OBSERVATIONS

